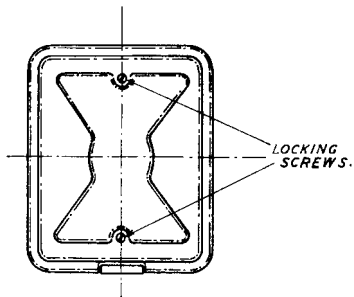
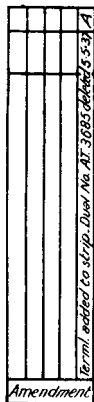
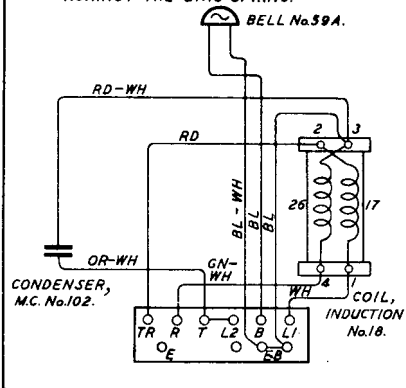


BELL SET, No.32.

N.532. 28-9-34



NOTE. D.C. THROUGH THE BELL WITH -VE ON TERM. B SHOULD OPERATE THE ARMATURE AGAINST THE BIAS SPRING.



NOTE:- THIS BELL SET IS USED IN AUTOMATIC AREAS ON 2 PARTY LINES WITH SELECTIVE METERING. SEE N.1281(A.T.1980) & N.1298(PANELS 1 & 2). A.T.3659 & AT3684.