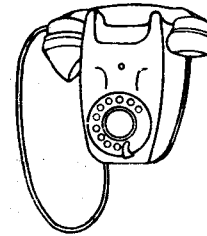


TELEPHONE 321

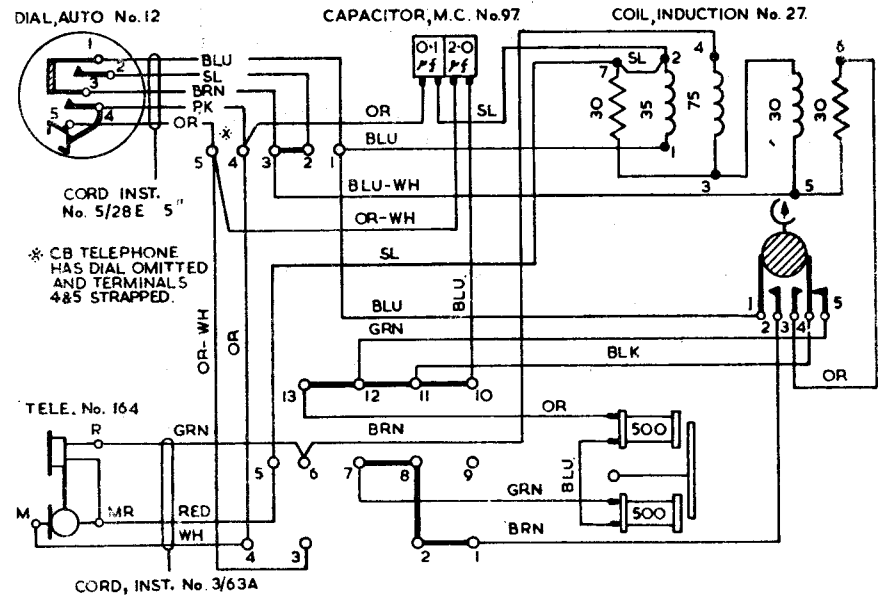
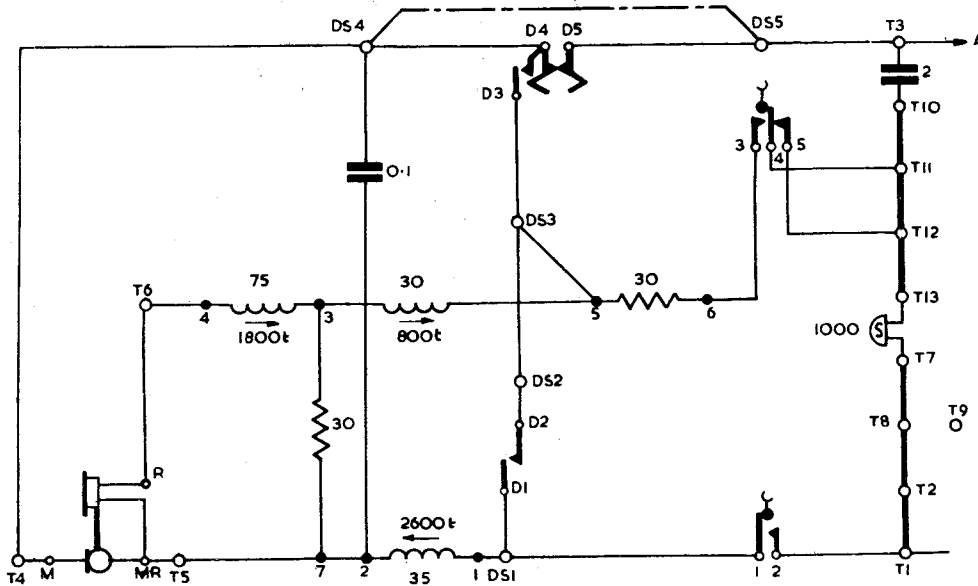
HANDSET WALL TELEPHONE FOR USE WITH ADAPTERS SHARED SERVICE 1 & 2 & KEYS 302, 303, & 304, IN PLACE OF TELEPHONES 310, 312, 314, 328, & 330, WHERE A WALL TELEPHONE IS REQUIRED. TELE. 321 IS SUPERSEDED FOR NEW WORK BY TELE. 711 SEE DGM. N 811

N 421
PAGE 1-4
ISSUE F

EXPLANATORY
TELE. 321 AS ISSUED



C.B. TELEPHONE HAS DIAL OMITTED AND TERMINALS 4-5 STRAPPED



P.O.E.D. S BCH.			
PAPER: Y			
CIRCULATION GENERAL	ISSUES		
	F	NEW FORMAT	19-4-67
	E	SUPPN. NOTE ADDED. MADE YELLOW	19-6-64
		J.H.S.	20-6-55

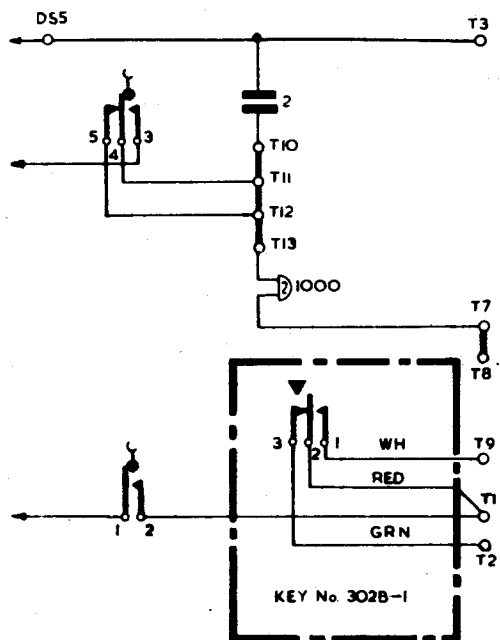
For use as the wall telephone equivalent of —

- (a) Tele. 310 see page 2.
- (b) " 312 " " 2
- (c) " 314 " " 3
- (d) " 328 " " 3
- (e) " 330 " " 4

For wiring of Adapters Shared Service 1 & 2 see diagram N 811

TELEPHONE 321 FITTED WITH KEY 302B-1

FOR USE AS THE WALL TELEPHONE EQUIVALENT OF TELEPHONE 310
TELE. 321 IS SUPERSEDED FOR NEW WORK BY TELE. 711 SEE DGM. N 811

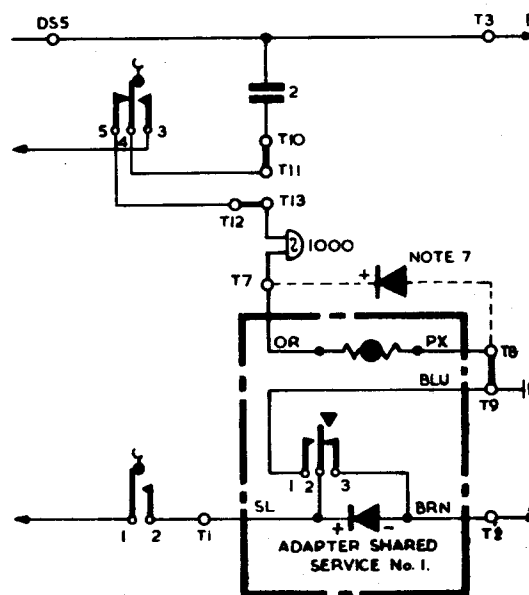


NOTES :-

1. FIT KEY No 302B-1 TO TELEPHONE WITH THE 2 SCREWS PROVIDED.
2. REMOVE THE LINKS BETWEEN TERMINALS 1-2 & 2-8.
3. REMOVE THE LINK BETWEEN TERMINALS 7-8 & CONNECT EXTN. BELL WHEN REQD.
4. CONNECT THE KEY CONDUCTORS TO THE TELEPHONE TERMINALS :- RED TO 1, GRN. TO 2, & WH. TO 9.
5. TELEPHONE No 321 WITH KEY No 302B-1 WILL WORK IN PLACE OF A TELEPHONE No 310 ON SHARED SERVICE WITH BELL SET No 41 & IN ANY EXTN PLAN. THE N DGMS OF EXTN. PLANS SHOW THE CONNEXIONS FOR TELEPHONES No 310 ONLY & AS CORRESPONDING TERMINALS OF TELEPHONES No 310 & No 321 DO NOT ALL HAVE THE SAME NUMBERS THE FOLLOWING CONVERSION TABLE SHOULD BE USED.

TELEPHONE No 310 TERMINAL	CORRESPONDING TERMINAL OF TELEPHONE No 321.
1	1
2	7
3 NOT USED	-
4	4
5	5
6	6
7	2
8	3
9	9
10	10
11	11
12	13
13	-
-	12
-	8

TELEPHONE 321 COMBINED WITH ADAPTER SHARED SERVICE No.1 FOR USE AS THE WALL TELEPHONE EQUIVALENT OF TELEPHONE 312



NOTES :-

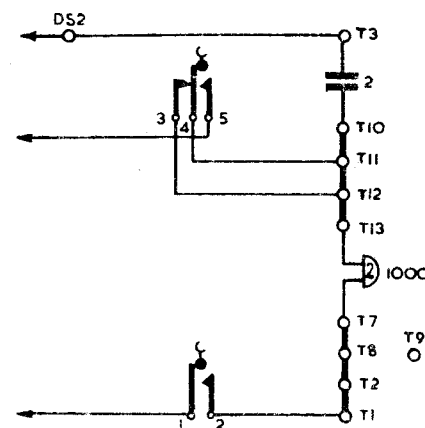
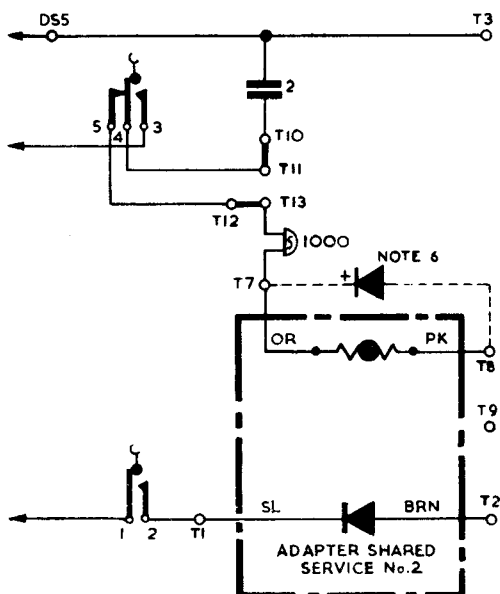
1. FIX ADAPTER TO TELEPHONE WITH THE TWO SCREWS PROVIDED & AND WITH THE TWO SCREWS OF THE KEY No. 302B.
2. REMOVE THE LINKS BETWEEN TERMINALS 1-2, 2-8, 7-8, & 11-12
3. LINK TERMINALS 8-9.
4. CONNECT THE ADAPTER CONDUCTORS TO THE TELEPHONE TERMINALS :- OR. TO 7, PK. TO 8, BLU. TO 9, SL. TO 1 & BRN. TO 2.
5. REMOVE LINK BETWEEN TERMINALS 8-9 & CONNECT EXTN. BELL WHEN REQD.
6. TELEPHONE No. 321 WITH ADAPTER SHARED SERVICE No. 1 WILL WORK IN PLACE OF A TELEPHONE No. 312 IN ANY EXTN. PLAN. THE N DGMS FOR EXTN. PLANS SHOW THE CONNEXIONS FOR TELEPHONES No. 312 ONLY & AS CORRESPONDING TERMINALS OF TELEPHONES No. 312 & No. 321 DO NOT ALL HAVE THE SAME NUMBERS THE FOLLOWING CONVERSION TABLE SHOULD BE USED.
7. IN JAX AREAS WITH VIBRATOR RINGING A VALVE ELECTRONIC CV425 SHOULD BE CONNECTED TO TERMINAL 7 & T8 IN PARALLEL WITH THE THERMISTOR.

TELEPHONE No 312 TERMINAL	CORRESPONDING TERMINAL OF TELEPHONE No 321.
1	2
2	7
3	8
4	4
5	5
6	6
7 NOT USED	-
8	3
9	9
10	10
11	11
12	13
13	12
-	1

TELEPHONE 321 COMBINED WITH ADAPTER
 SHARED SERVICE 2 FOR USE AS THE WALL TELEPHONE
 EQUIVALENT OF TELEPHONE 314.
 TELE. 321 IS SUPERSEDED FOR NEW WORK BY TELE. 711.
 SEE DGM. N 811

TELEPHONE 321 FOR USE AS THE WALL TELEPHONE
 EQUIVALENT OF TELEPHONE 328.

N 421
 PAGE 3-4
 ISSUE F



NOTES :-

1. FIX ADAPTER TO TELEPHONE WITH THE 4 SCREWS PROVIDED.
2. REMOVE THE LINKS BETWEEN TERMINALS 1-2, 2-8, 7-8, & 11-12.
3. CONNECT THE ADAPTER CONDUCTORS TO THE TELEPHONE TERMINALS:-OR. TO 7, PK. TO 8, SL. TO 1, & BRN. TO 2.
4. WHEN KEYS No. 303... OR No. 304... ARE FITTED IT IS ESSENTIAL THAT REFERENCE BE MADE TO DGM. N 4301.
5. TELEPHONE No. 321 WITH ADAPTER SHARED SERVICE No. 2 WILL WORK IN PLACE OF A TELEPHONE No. 314 IN ANY EXTN. PLAN. THE N DGMS FOR THE EXTN. PLANS SHOW THE CONNEXIONS FOR TELEPHONES No. 314 ONLY & AS CORRESPONDING TERMINALS OF TELEPHONES No. 314 & No. 321 DO NOT ALL HAVE THE SAME NUMBERS THE FOLLOWING CONVERSION TABLE SHOULD BE USED:-
6. IN UAX AREAS WITH VIBRATOR RINGING A VALVE ELECTRONIC CV 425 SHOULD BE CONNECTED TO TERMINALS T7 & T8 IN PARALLEL WITH THE THERMISTOR.

TELEPHONE No 314 TERMINAL	CORRESPONDING TERMINAL OF TELEPHONE No 321.
1	2
2	7
3	8
4	4
5	5
6	6
7	1
8	3
9 NOT USED	-
10	10
11	11
12	13
13	12
	9

NOTES :-

1. WHEN KEYS No. 303... OR No. 304... ARE FITTED IT IS ESSENTIAL THAT REFERENCE BE MADE TO DGM. N4301.
2. REMOVE LINK BETWEEN TERMINALS 7-8 & CONNECT EXTN. BELL WHEN REQD.
3. TELEPHONE No. 321 WILL WORK IN PLACE OF A TELEPHONE No. 328 IN ANY EXTN. PLAN. THE N DGMS. OF EXTN. PLANS SHOW THE CONNEXIONS FOR TELEPHONES No. 328 ONLY & AS CORRESPONDING TERMINALS OF TELEPHONES No. 328 & No. 321 DO NOT ALL HAVE THE SAME NUMBERS THE FOLLOWING CONVERSION TABLE SHOULD BE USED:-

TELEPHONE No 328 TERMINAL	CORRESPONDING TERMINAL OF TELEPHONE No 321.
1	1
2	7
3 NOT USED	-
4	4
5	5
6	6
7 NOT USED	-
8	-
9	3
10	10
11	11
12	13
13	-
-	2
-	8
-	12

