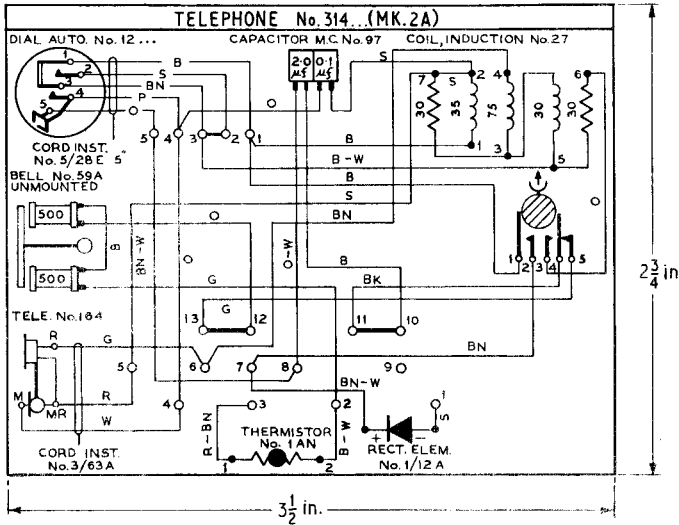


TELEPHONE No.314 (MK.2A) MINUS CORD
 COMBINED SET FOR USE IN AUTO AREAS ON SHARED
 SERVICE (SEPARATE METERING) EXTENSION PLANS.

N414
 ISSUE A

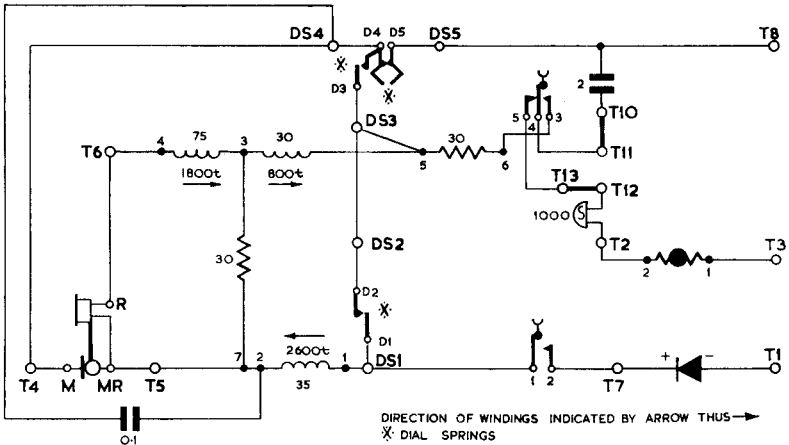


Label Dgm. to be to dimensions given.

NOTES

1. Tele. No.314 (MK.2A) is fitted with Recr. inset, No.2P & redesigned plungers.
2. See N3921 series of Dgms. for details of extn. plan wiring.

EXPLANATORY



DIRECTION OF WINDINGS INDICATED BY ARROW THUS →
 ✕ DIAL SPRINGS

P.O.E.D.
 S BCH.

 PAPER: W
 CIRCULATION
 GENERAL

ISSUES				
	A	New format. J. H. Combridge. S1.	<i>Alf.</i>	5-1-68 14-1-53