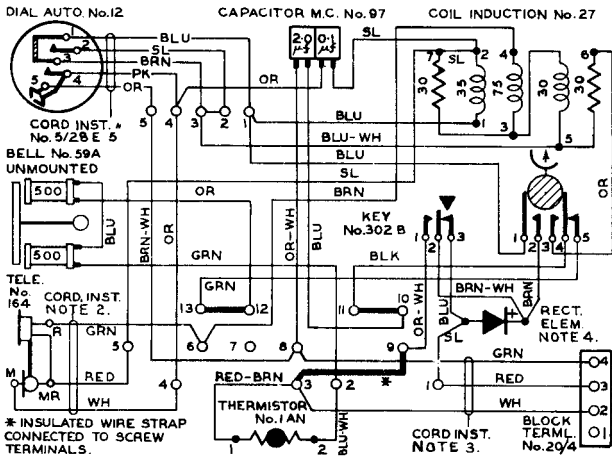


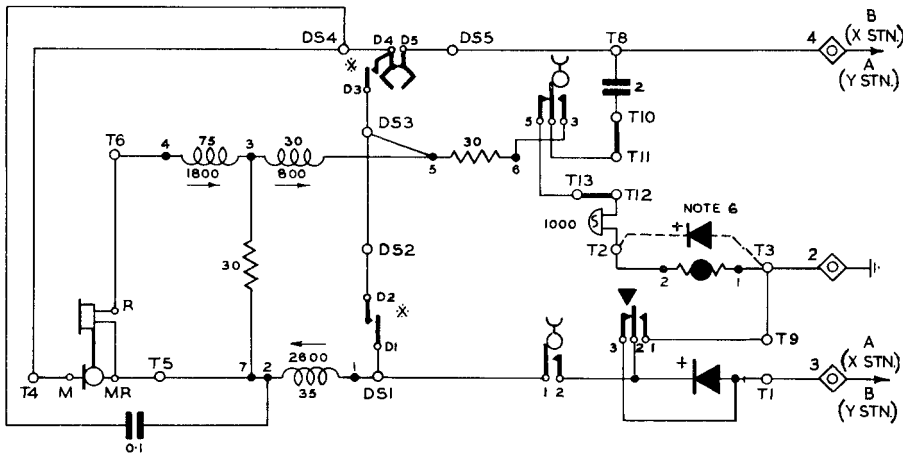
TELEPHONE No.312...
 COMBINED HANDSET TELEPHONE FOR USE IN AUTOMATIC AREAS ON
 SHARED SERVICE (SEPARATE METERING) LINES.

N412
 PAGE 1-3
 ISSUE G

WIRING



EXPLANATORY



NOTE :-

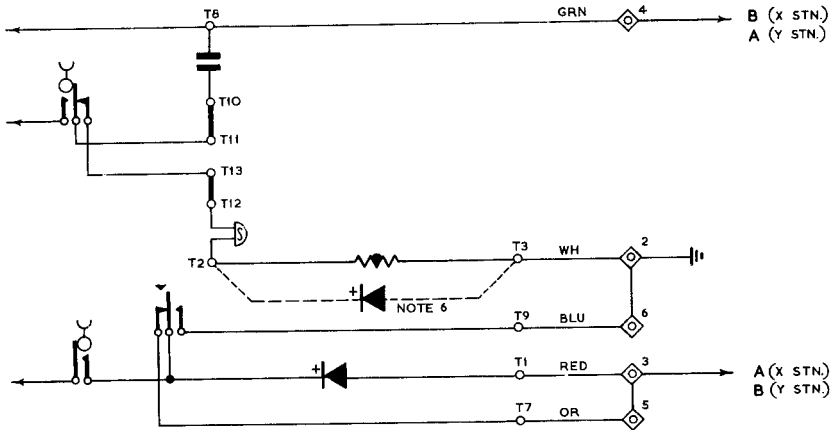
DIRECTION OF WINDINGS INDICATED BY ARROW THUS →
 * DIAL SPRINGS.

P.O. E. D.
 S. BCH.
 PAPER: W.
 CIRC'L TN:
 GENERAL.

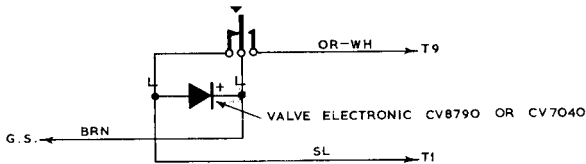
ISSUE	G	REDRAWN, NEW FORMAT	18. 7. 67.
	F	NOTE 5 ADDED	4. 11. 65.
		C. J. C. SI/1	5. 12. 49.

NOTES :-

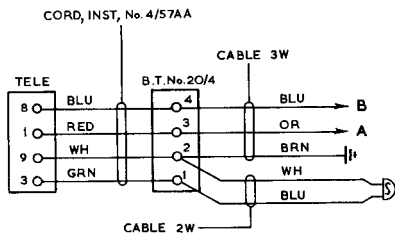
1. Early supplies had the back contact of the Press-button brought out to T7 and were fitted with Block terminal No.20/8 & Cord Inst. 5/14B. When necessary to replace the Cord, a Cord Inst.No.3/62AA may be used with T3-T9 and T1-T7 strapped in Telephone.



2. The Handset Cord may be any one of the following;
 Cord Inst. Nos. 3/63A___, 3/63AA___ or 3/110AK___.
3. The Line Cord may be either a Cord Inst. No.3/62B___ or 3/62AA___.
4. Rectifier Element No.1/12A is normally fitted. Later supplies of this Telephone have a Valve Electronic CV8790 or CV7040 fitted directly on to Tags 2 and 3 of the Key No.302B.



5. When an Extension Bell is required remove strap between Telephone Terminals T3 and T9, replace Cord Inst. No. 3/62___ by Cord Inst.No.4/57___ and connect Extension Bell on Block Terminal 20/4.



NOTES (CONTD.)

6. In U.A.X. areas with Vibrator Ringing a Valve Electronic CV425 should be connected to terminals T2 and T3 in parallel with the Thermistor.

7. In type TXE2 Electronic Exchange areas recover BRN-WH wire between Rectifier positive and Key No.302B Tag 2 and BRN wire between Rectifier positive and Gravity Switch Tag 2. Provide new wire between these two Tags 2. If a Valve Electronic CV8790 or CV7040 is fitted, it should be recovered and the wiring left untouched.