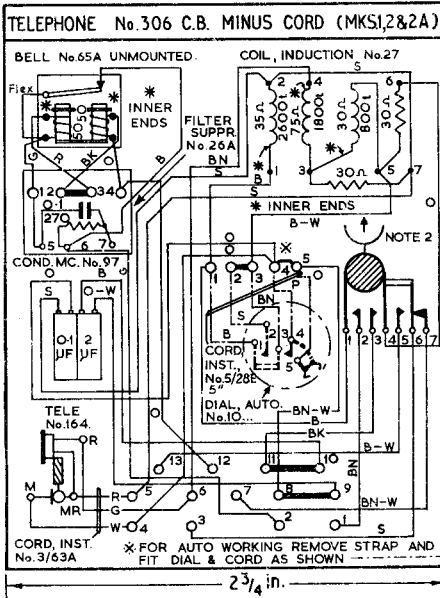


TELEPHONE No.306C.B. MINUS CORD.  
 COMBINED HANDSET TELEPHONE ( WITH TREMBLER BELL )  
 FOR USE IN C.B. & AUTO AREAS ON CERTAIN EXTENSION  
 PLANS WITH, OR WITHOUT, KEYS No. 303 A. OR 304 A.

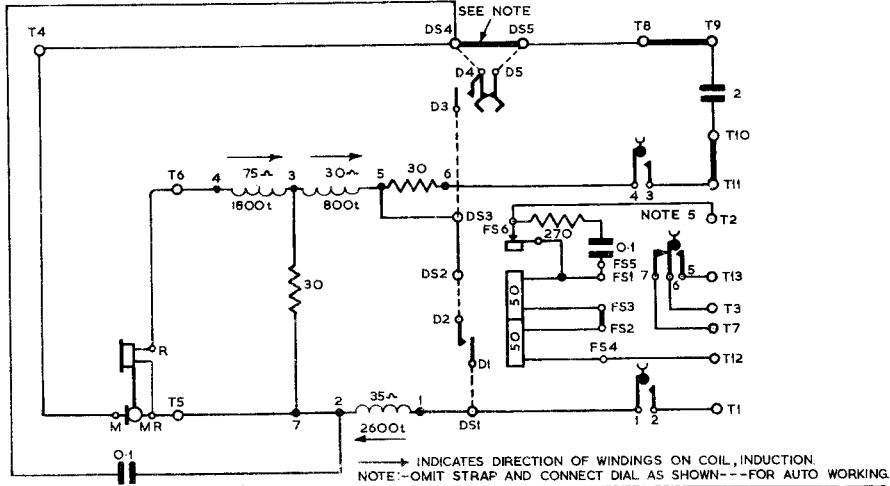
N406  
 ISSUE C



NOTES

1. Key No.303A or 304A & the requisite number of parts 1/SPL/325 ( Key plungers complete) to be requisitioned separately, if required.
2. Spring 1 of cradle switch spring-set assembly is adjacent to the mounting.
3. Earlier issues of Tele. No.306C.B. minus cord have coil, induction No.22 instead of No.27. The external connexions are the same but the winding resistances and turns ratios of the two coils are different.
4. Differences between Mks.1,2 & 2A of Tele. No.306C.B. minus cord are Mk.1 has receiver, inset No.1L in Tele. No.164. Mk.2 has receiver, inset No.2P in Tele. No.164. Mk.2A as for Mk.2 but has switch bracket & plungers of improved design.
5. Earlier supplies of Tele. No.306 are fitted with filter suppression No.6A.

LABEL DIAGRAM TO BE TO DIMENSIONS GIVEN  
 EXPLANATORY



P.O.E.D. S BCH.			
PAPER: W			
CIRCULATION	C	New format	10 - 1 - 68
GENERAL	B	Note 5 added	2 - 4 - 52
		E.S.R. S1	10 - 6 - 39