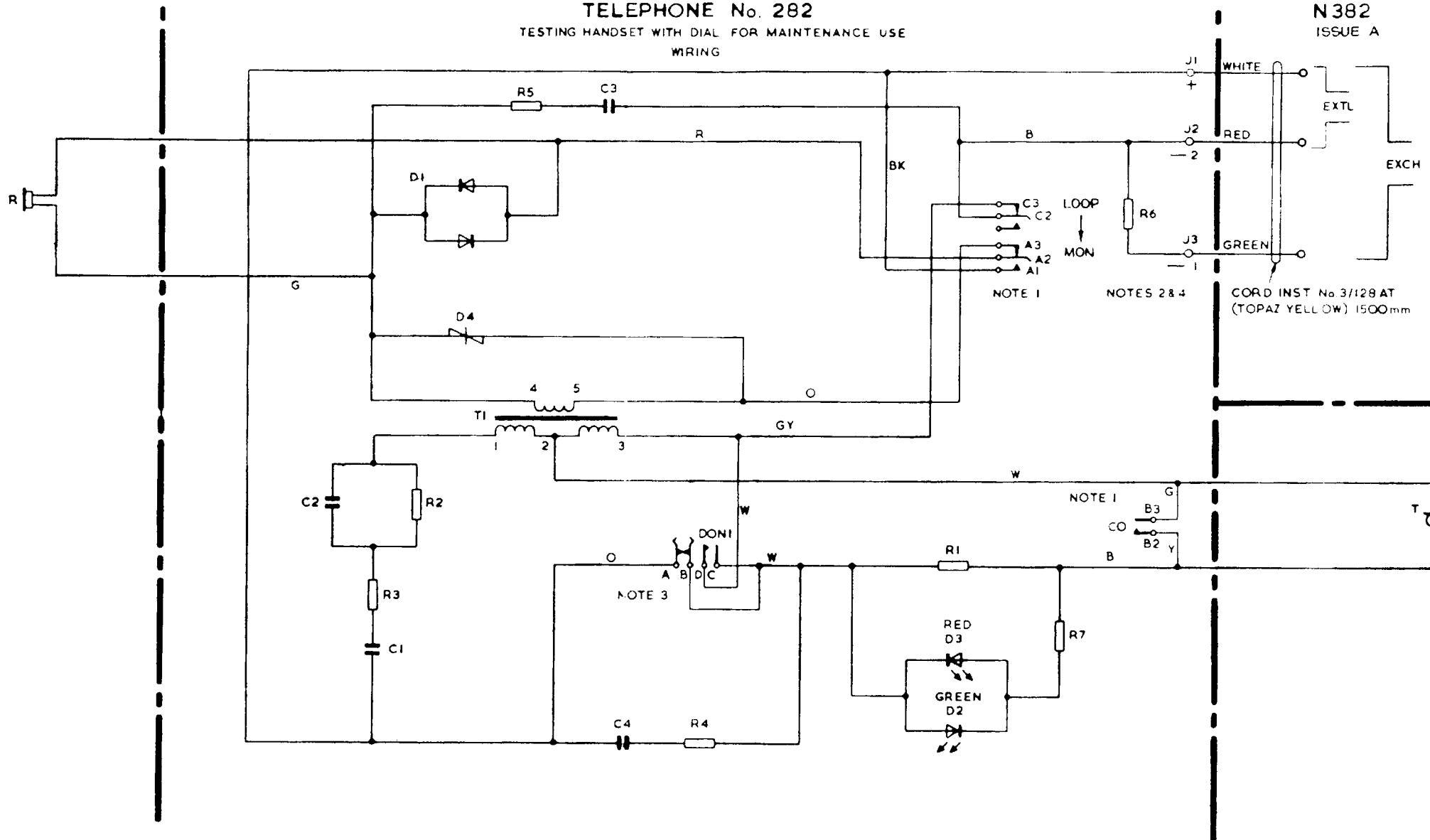


TELEPHONE No. 282  
TESTING HANDSET WITH DIAL FOR MAINTENANCE USE  
WIRING

N382  
ISSUE A



NOTES.

1. A1, A2, A3, B2, B3, C2 & C3 - FLYING LEADS - PCB TO SWITCH
2. J1, J2 & J3 - INCOMING CABLE CONNECTIONS.
3. A, B, C & D - FLYING LEADS - PCB TO DIAL
4. WITH POLARITY AS PER DIAGRAM THE GREEN L.E.D. WILL GLOW.

BRITISH ELECTROCOMMUNICATIONS CORPORATION	ISSUE		
		OPER:- WHITE	
DISTRIBUTION:- GENERAL	A. EDITORIAL CORRECTION RELATING TO LOOP/MON SWITCH	<i>D.P.R.</i>	10-12-82
		ES 9-3-3	13-8-82