

TELEPHONE No. 254 (PORTABLE EMERGENCY TELEPHONE) N 354

3 PANELS - 1

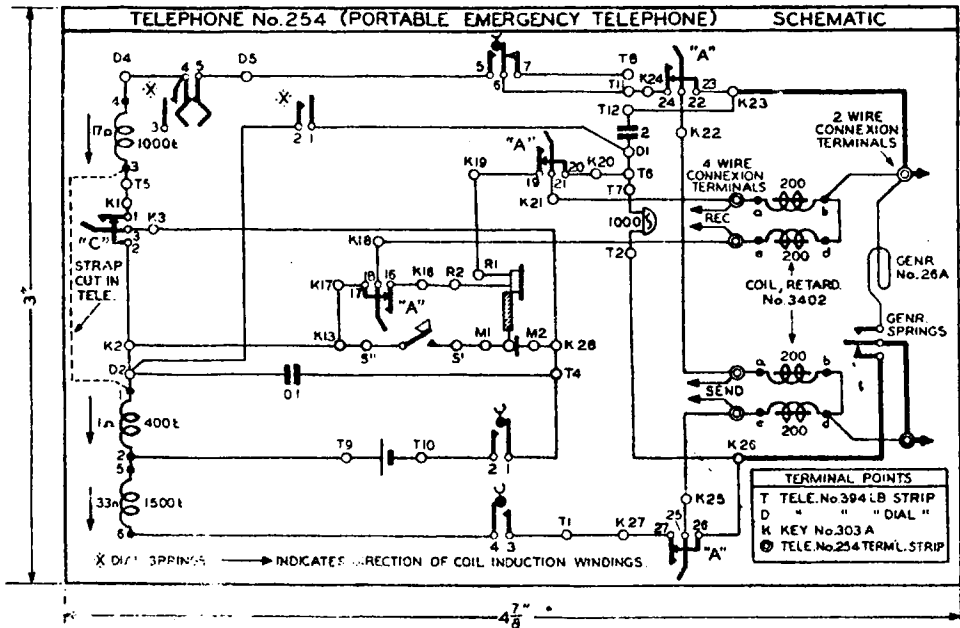
24.6.41

CIRCULATION	SPECIAL
Suffix	
B	A
4 12 41	17 10 41
PANEL 3 REDRAWN & NOTES AMENDED TERMINAL STRIP ENGRAVING REVERSED AND "C" T.A.C. WAS RED	
Amend	
R	

TELEPHONE No. 254 (PORTABLE EMERGENCY TELEPHONE)		INSTRUCTIONS	
USE	PRESS BUTTON TO BE OPERATED	LINE CONNEXIONS	REMARKS
AS C.B. AUTO C.B. 5 2 & 3 OR MAGNETO SUBSCRIBER'S INSTRUMENT, P.A.B.X. OR P.M.B.X. EXTENSION	TWO-WIRE ("B")	CONNECT LINE TO TWO-WIRE TERMINALS.	CALL AS FOR SYSTEM SPECIFIED. BELL RINGS ON INCOMING CALLS.
AS TWO-WIRE INSTRUMENT (GENERATOR SIGNALLING)	TWO-WIRE ("B")	CONNECT LINE TO TWO-WIRE TERMINALS.	CALL BY GENERATOR. BELL RINGS ON INCOMING CALLS.
AS TWO-WIRE INSTRUMENT USING UNIT, SIGNALLING, No. 6"	TWO-WIRE ("B")	CONNECT LINE TO LINE TERMINALS ON UNIT, SIGNALLING, No. 6" CONNECT TELE. TERMINALS ON UNIT TO TWO-WIRE TERMINALS ON TELE. No. 254 CONNECT EARTH TO TERML. ON UNIT	CALL BY GENERATOR ON UNIT, SIGNALLING, No. 6" INDICATOR ON UNIT OPERATES ON INCOMING CALL
AS FOUR-WIRE INSTRUMENT (GENERATOR SIGNALLING)	FOUR-WIRE ("A")	CONNECT REC PAIR TO REC TERMINALS " SEND " " SEND "	CALL BY GENERATOR. BELL RINGS ON INCOMING CALLS.
AS FOUR-WIRE INSTRUMENT USING UNIT, SIGNALLING, No. 6"	FOUR-WIRE ("A")	CONNECT REC. PAIR TO REC TERMINALS " SEND " " SEND " CONNECT LINE TERMINALS OF UNIT, SIGNALLING, No. 6" TO TWO-WIRE TERMINALS ON TELE. 254. CONNECT EARTH TO TERMINAL ON UNIT.	CALL BY GENERATOR ON UNIT, SIGNALLING, No. 6" INDICATOR ON UNIT OPERATES ON INCOMING CALL.
WORKING TO A C.B. OR AUTO-SUBSCRIBER.	TWO-WIRE, BATT. FEED TO LINE ("C")	CONNECT LINE TO TWO-WIRE TERMINALS	ONE WAY SIGNALLING ONLY. CALL BY GENERATOR.
WORKING TO MAGNETO SUBSCRIBER OR ANOTHER TELE No. 254	TWO-WIRE ("B")	CONNECT LINE TO TWO-WIRE TERMINALS	BOTH WAY SIGNALLING. CALL BY GENERATOR SUB CALLING RINGS BELL.
WORKING TO C.B. 5 2 & 3 SUBSCRIBER.	TWO-WIRE ("B")	CONNECT LINE TO TWO-WIRE TERMINALS.	ONE WAY SIGNALLING ONLY. CALL SUB BY GENERATOR.
THE FOLLOWING DIAGRAMS SHOW THE CONNEXIONS OF:- TELEPHONE No. 394 LB — N 494 KEY No 303A — N 430I (CONTROL PLATE SET AS PER FIG 2 PANEL 3. KEY PLUNGER "B" RELEASES "A" & "C")			

N 354

3 PANELS-2



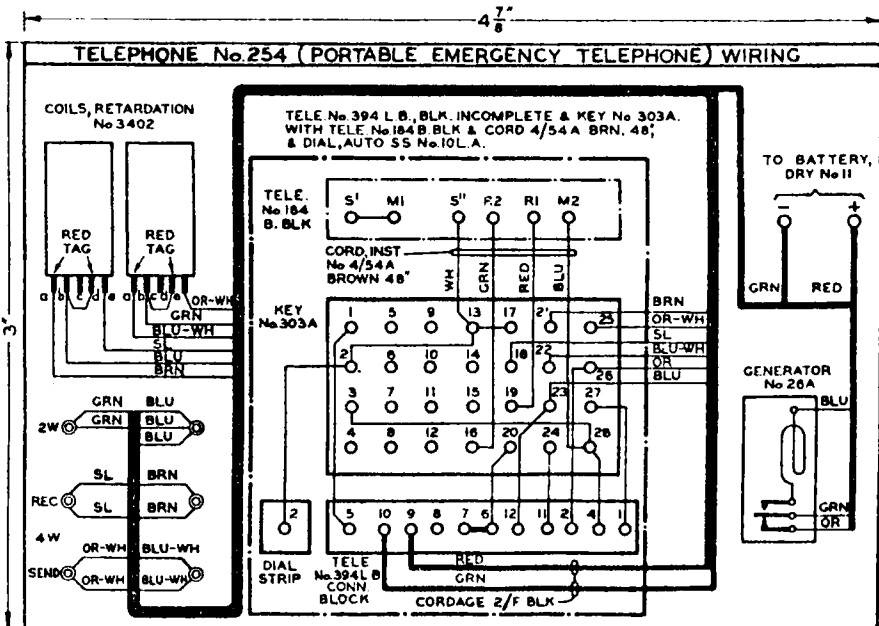
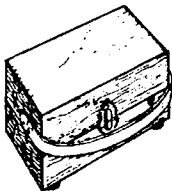
CIRCULATION

SPECIAL

TELEPHONE No.254 (PORTABLE EMERGENCY TELEPHONE)

N 354
3 PANELS-3
24-6-41

					11-9-41
					A
PANEL 3 REDRAWN NOTES AMENDED TERMINAL STRIP ENGRAVING REVERSED AND '9' TAG WAS RED					
AMENDMENT.					



Andy Grant collection

