

LABEL DIAGRAMS TO BE TO DIMENSIONS GIVEN

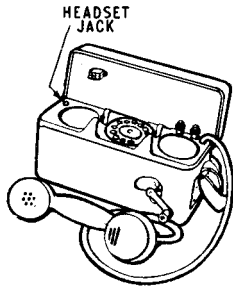
P.O.E.D.
 S BCH.

PAPER: Y

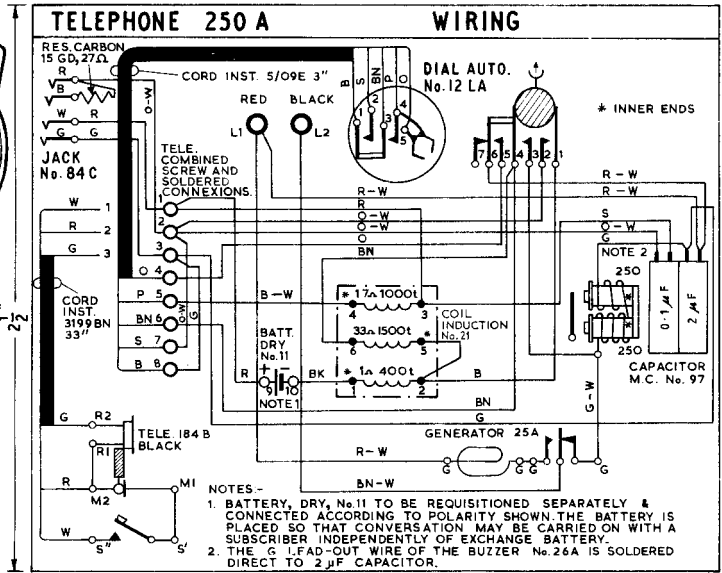
CIRCULATION GENERAL

ISSUES			
D	NEW FORMAT. TELE. 250 WAS YELLOW		3 . 8 . 67
C	TELE. 250A.—RES. CARBON 15GD 27 Δ ADDED		1 . 11 . 66
B	TELE. 250A. PNLS. 3 & 4 ADDED. PNLS. 1 & 2 MADE YELLOW.		9 . 11 . 64
A	CORD INST. 3/99 WAS 3/63 K B.		17 . 5 . 56
	E.R. 5 BR.		28 . 12 . 39

N. 350
PAGE 2-3
ISSUE D

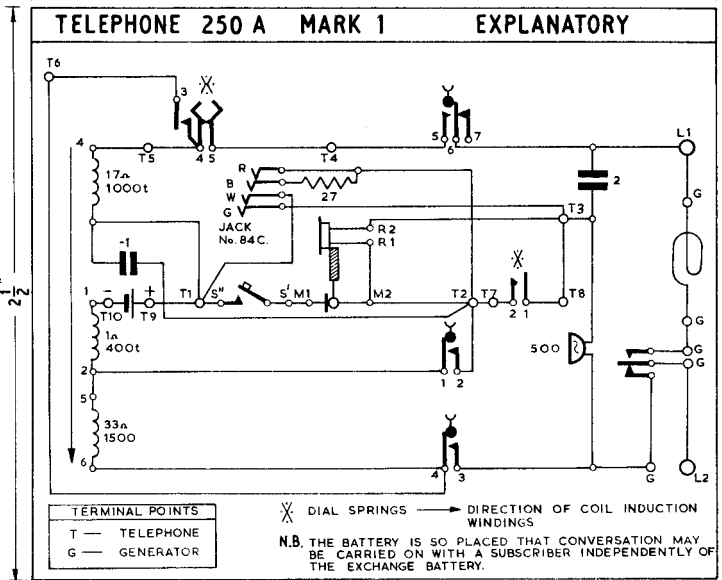


TELEPHONE 250 A WIRING



- NOTES -
1. BATTERY, DRY, No. 11 TO BE REQUISITIONED SEPARATELY & CONNECTED ACCORDING TO POLARITY SHOWN. THE BATTERY IS PLACED SO THAT CONVERSATION MAY BE CARRIED ON WITH A SUBSCRIBER INDEPENDENTLY OF EXCHANGE BATTERY.
 2. THE G L/FAD-OUT WIRE OF THE BUZZER No. 26A IS SOLDERED DIRECT TO 2 μF CAPACITOR.

TELEPHONE 250 A MARK 1 EXPLANATORY



LABEL DIAGRAMS TO BE TO DIMENSIONS GIVEN

TERMINAL POINTS	
T	TELEPHONE
G	GENERATOR

⊗ DIAL SWITCH → DIRECTION OF COIL INDUCTION WINDINGS
 N.B. THE BATTERY IS SO PLACED THAT CONVERSATION MAY BE CARRIED ON WITH A SUBSCRIBER INDEPENDENTLY OF THE EXCHANGE BATTERY.

P.O.E.D. S BCH.				
PAPER: W CIRCULATION GENERAL	ISSUES	D	NEW FORMAT. TELE. 250 WAS Y B.W.	3 - 8 - 67
		C	TELE. 250A. - RES. CARBON 15 GD 27Ω ADDED	1 - 11 - 66
		B	TELE. 250A. PNLS 3 & 4 ADDED. PNLS. 1&2 MADE YELLOW.	9 - 11 - 64
		A	CORD INST. 3/99 WAS 3/63 K.B.	17 - 5 - 56
			E. R. S. BR.	28 - 12 - 39