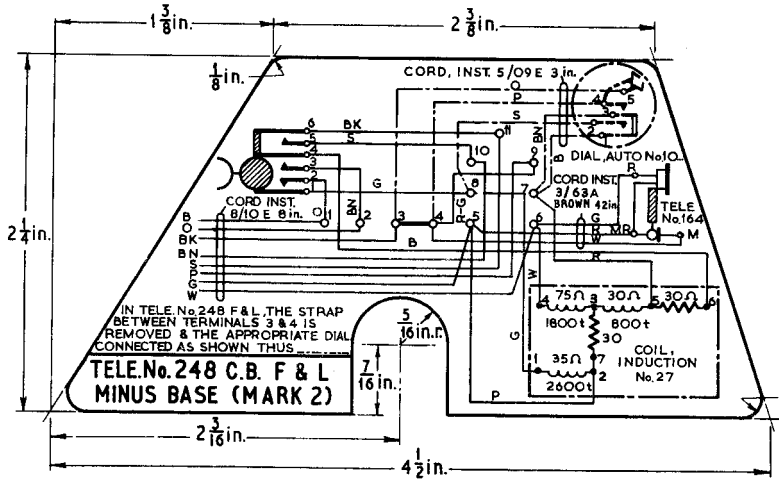


TELEPHONE No. 248CB, F&L, MINUS BASE (MARK 2)
 FOR USE AS TABLE SET WITH BELL SET No.39...ON EXTENSION
 PLANS 5&5A (SEE N4308) AND 7&7A (SEE N4310)
 C.B. AND AUTO SYSTEMS.

N348
 PAGE 1-3
 ISSUE G

SUPERSEDED BY PAGE 3 FOR NEW WORK



THE LABEL DIAGRAM TO BE REDUCED TO DIMENSIONS GIVEN.

NOTE:-

Tele. No.248 C.B. minus base (Mark 1) is fitted with "Coil Ind. No.24" and "Cord Inst. No. 6/31 E8" i.e. The green and white conductors to T5 & T6 are not provided. The other connexions are identical.

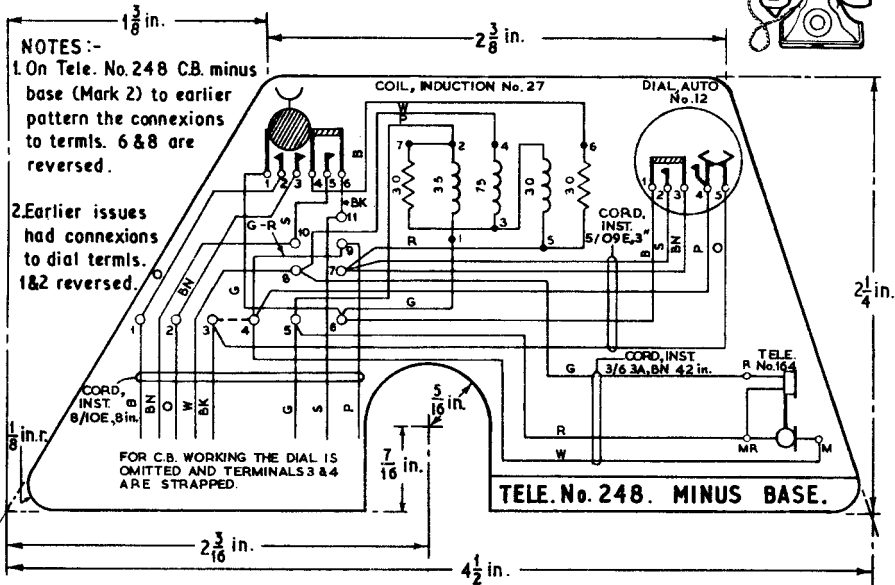
P.O.E.D. S. BCH.			
PAPER : Y CIRCULATION GENERAL	ISSUES	G	New Format
		F	Panels 2 & 3 redrawn. Note 2 added
		E.S.R.	S/1
			10 . 1 . 68
			23 . 3 . 55
			8 . 4 . 36

N 348
PAGE 2-3
ISSUE G

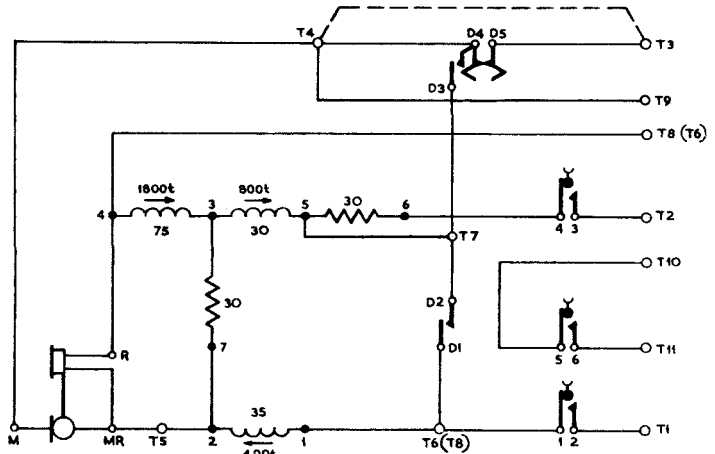
TELEPHONE No.248 MINUS BASE
 FOR USE AS TABLE SET WITH BELL-SET No.39...
 OR No.44.

N348
 PAGE 3-3
 ISSUE 6

SUPERSEDES PAGE 1 FOR NEW WORK



EXPLANATORY



P.O.E.D. BCH.	ISSUES			
PAPER: W	G	New Format		10 - 1 - 68
CIRCULATION	F	Panels 2 & 3 redrawn. Note 2 added.		23 - 3 - 55
GENERAL		E.S.R. SI/I		8 - 4 - 38