

CIRCULATION
GENERAL

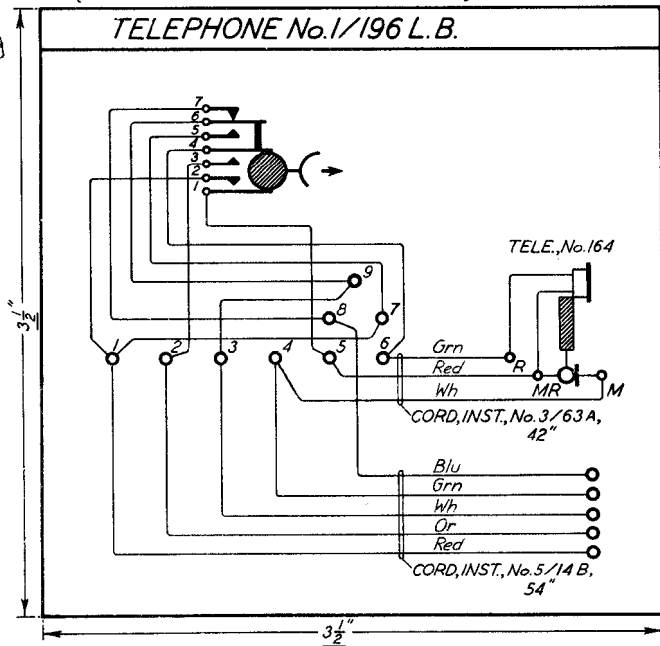
TELEPHONES No.196 L.B. & No.1/196 L.B.  
 FOR USE WITH BELL SETS No.21 & 31 ON C.B.S. & MAGNETO SYSTEMS  
 ON DIRECT EXCH. LINES ETC.  
 (FOR CONNEXIONS SEE N1296 & N1297)

N 296

28·9·34

SUPERSEDES AT 2356A

7x Cord Inst was No 3/63D
Mark No Deleted
Redrawn Title & Notes Amended
Redrawn Dual Number C.B.S. 1043 Deleted
Amendment



NOTES:-

1. THE CONNEXIONS OF TELE., No. 196 L.B. & TELE., No. 1/196 L.B. ARE IDENTICAL.
2. THE LABEL DIAGRAM FOR TELE., No. 1/196 L.B. TO BE TO DIMENSIONS GIVEN. (LABEL DIAGRAM FOR TELE., No. 196 L.B. IS LD 10.)

W