

CIRCULATION
GENERAL

TELEPHONE No. 190 (WITH BELL SET No. 5).

C.B.S. No. 1 SYSTEM

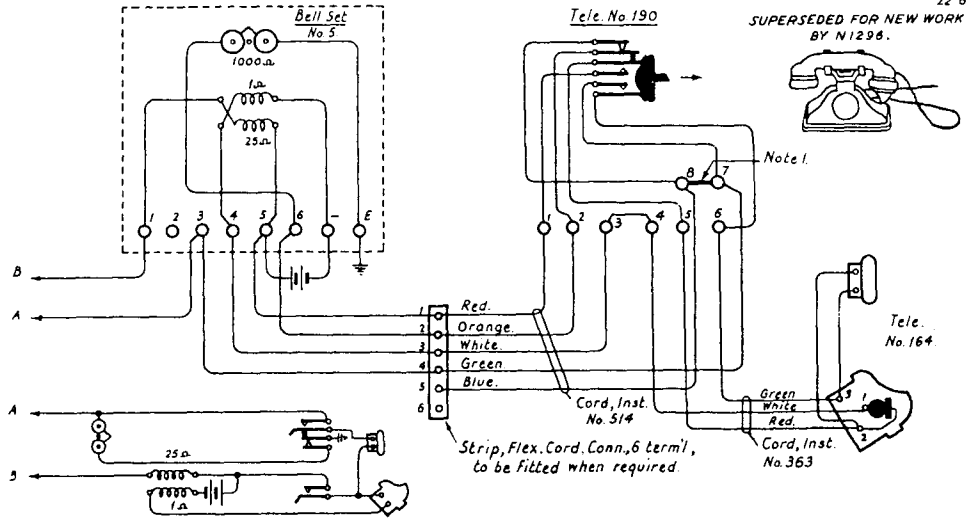
N. 290.

Panel 2.

22 6 3

SUPERSEDED FOR NEW WORK
BY N1296.

Amendment
Succession of changes for improvement
C.B.S. No. 190, 190B, 190C, 190D, 190E, 190F, 190G, 190H, 190I, 190J, 190K, 190L, 190M, 190N, 190O, 190P, 190Q, 190R, 190S, 190T, 190U, 190V, 190W, 190X, 190Y, 190Z, 190AA, 190AB, 190AC, 190AD, 190AE, 190AF, 190AG, 190AH, 190AI, 190AJ, 190AK, 190AL, 190AM, 190AN, 190AO, 190AP, 190AQ, 190AR, 190AS, 190AT, 190AU, 190AV, 190AW, 190AX, 190AY, 190AZ, 190BA, 190BB, 190BC, 190BD, 190BE, 190BF, 190BG, 190BH, 190BI, 190BJ, 190BK, 190BL, 190BM, 190BN, 190BO, 190BP, 190BQ, 190BR, 190BS, 190BT, 190BU, 190BV, 190BW, 190BX, 190BY, 190BZ, 190CA, 190CB, 190CC, 190CD, 190CE, 190CF, 190CG, 190CH, 190CI, 190CJ, 190CK, 190CL, 190CM, 190CN, 190CO, 190CP, 190CQ, 190CR, 190CS, 190CT, 190CU, 190CV, 190CW, 190CX, 190CY, 190CZ, 190DA, 190DB, 190DC, 190DD, 190DE, 190DF, 190DG, 190DH, 190DI, 190DJ, 190DK, 190DL, 190DM, 190DN, 190DO, 190DP, 190DQ, 190DR, 190DS, 190DT, 190DU, 190DV, 190DW, 190DX, 190DY, 190DZ, 190EA, 190EB, 190EC, 190ED, 190EE, 190EF, 190EG, 190EH, 190EI, 190EJ, 190EK, 190EL, 190EM, 190EN, 190EO, 190EP, 190EQ, 190ER, 190ES, 190ET, 190EU, 190EV, 190EW, 190EX, 190EY, 190EZ, 190FA, 190FB, 190FC, 190FD, 190FE, 190FF, 190FG, 190FH, 190FI, 190FJ, 190FK, 190FL, 190FM, 190FN, 190FO, 190FP, 190FQ, 190FR, 190FS, 190FT, 190FU, 190FV, 190FW, 190FX, 190FY, 190FZ, 190GA, 190GB, 190GC, 190GD, 190GE, 190GF, 190GG, 190GH, 190GI, 190GJ, 190GK, 190GL, 190GM, 190GN, 190GO, 190GP, 190GQ, 190GR, 190GS, 190GT, 190GU, 190GV, 190GW, 190GX, 190GY, 190GZ, 190HA, 190HB, 190HC, 190HD, 190HE, 190HF, 190HG, 190HH, 190HI, 190HJ, 190HK, 190HL, 190HM, 190HN, 190HO, 190HP, 190HQ, 190HR, 190HS, 190HT, 190HU, 190HV, 190HW, 190HX, 190HY, 190HZ, 190IA, 190IB, 190IC, 190ID, 190IE, 190IF, 190IG, 190IH, 190II, 190IJ, 190IK, 190IL, 190IM, 190IN, 190IO, 190IP, 190IQ, 190IR, 190IS, 190IT, 190IU, 190IV, 190IW, 190IX, 190IY, 190IZ, 190JA, 190JB, 190JC, 190JD, 190JE, 190JF, 190JG, 190JH, 190JI, 190JJ, 190JK, 190JL, 190JM, 190JN, 190JO, 190JP, 190JQ, 190JR, 190JS, 190JT, 190JU, 190JV, 190JW, 190JX, 190JY, 190JZ, 190KA, 190KB, 190KC, 190KD, 190KE, 190KF, 190KG, 190KH, 190KI, 190KJ, 190KK, 190KL, 190KM, 190KN, 190KO, 190KP, 190KQ, 190KR, 190KS, 190KT, 190KU, 190KV, 190KW, 190KX, 190KY, 190KZ, 190LA, 190LB, 190LC, 190LD, 190LE, 190LF, 190LG, 190LH, 190LI, 190LJ, 190LK, 190LL, 190LM, 190LN, 190LO, 190LP, 190LQ, 190LR, 190LS, 190LT, 190LU, 190LV, 190LW, 190LX, 190LY, 190LZ, 190MA, 190MB, 190MC, 190MD, 190ME, 190MF, 190MG, 190MH, 190MI, 190MJ, 190MK, 190ML, 190MN, 190MO, 190MP, 190MQ, 190MR, 190MS, 190MT, 190MU, 190MV, 190MW, 190MX, 190MY, 190MZ, 190NA, 190NB, 190NC, 190ND, 190NE, 190NF, 190NG, 190NH, 190NI, 190NJ, 190NK, 190NL, 190NM, 190NO, 190NP, 190NQ, 190NR, 190NS, 190NT, 190NU, 190NV, 190NW, 190NX, 190NY, 190NZ, 190OA, 190OB, 190OC, 190OD, 190OE, 190OF, 190OG, 190OH, 190OI, 190OJ, 190OK, 190OL, 190OM, 190ON, 190OO, 190OP, 190OQ, 190OR, 190OS, 190OT, 190OU, 190OV, 190OW, 190OX, 190OY, 190OZ, 190PA, 190PB, 190PC, 190PD, 190PE, 190PF, 190PG, 190PH, 190PI, 190PJ, 190PK, 190PL, 190PM, 190PN, 190PO, 190PP, 190PQ, 190PR, 190PS, 190PT, 190PU, 190PV, 190PW, 190PX, 190PY, 190PZ, 190QA, 190QB, 190QC, 190QD, 190QE, 190QF, 190QG, 190QH, 190QI, 190QJ, 190QK, 190QL, 190QM, 190QN, 190QO, 190QP, 190QQ, 190QR, 190QS, 190QT, 190QU, 190QV, 190QW, 190QX, 190QY, 190QZ, 190RA, 190RB, 190RC, 190RD, 190RE, 190RF, 190RG, 190RH, 190RI, 190RJ, 190RK, 190RL, 190RM, 190RN, 190RO, 190RP, 190RQ, 190RR, 190RS, 190RT, 190RU, 190RV, 190RW, 190RX, 190RY, 190RZ, 190SA, 190SB, 190SC, 190SD, 190SE, 190SF, 190SG, 190SH, 190SI, 190SJ, 190SK, 190SL, 190SM, 190SN, 190SO, 190SP, 190SQ, 190SR, 190SS, 190ST, 190SU, 190SV, 190SW, 190SX, 190SY, 190SZ, 190TA, 190TB, 190TC, 190TD, 190TE, 190TF, 190TG, 190TH, 190TI, 190TJ, 190TK, 190TL, 190TM, 190TN, 190TO, 190TP, 190TQ, 190TR, 190TS, 190TT, 190TU, 190TV, 190TW, 190TX, 190TY, 190TZ, 190UA, 190UB, 190UC, 190UD, 190UE, 190UF, 190UG, 190UH, 190UI, 190UJ, 190UK, 190UL, 190UM, 190UN, 190UO, 190UP, 190UQ, 190UR, 190US, 190UT, 190UU, 190UV, 190UW, 190UX, 190UY, 190UZ, 190VA, 190VB, 190VC, 190VD, 190VE, 190VF, 190VG, 190VH, 190VI, 190VJ, 190VK, 190VL, 190VM, 190VN, 190VO, 190VP, 190VQ, 190VR, 190VS, 190VT, 190VU, 190VV, 190VW, 190VX, 190VY, 190VZ, 190WA, 190WB, 190WC, 190WD, 190WE, 190WF, 190WG, 190WH, 190WI, 190WJ, 190WK, 190WL, 190WM, 190WN, 190WO, 190WP, 190WQ, 190WR, 190WS, 190WT, 190WU, 190WV, 190WW, 190WX, 190WY, 190WZ, 190XA, 190XB, 190XC, 190XD, 190XE, 190XF, 190XG, 190XH, 190XI, 190XJ, 190XK, 190XL, 190XM, 190XN, 190XO, 190XP, 190XQ, 190XR, 190XS, 190XT, 190XU, 190XV, 190XW, 190XX, 190XY, 190XZ, 190YA, 190YB, 190YC, 190YD, 190YE, 190YF, 190YG, 190YH, 190YI, 190YJ, 190YK, 190YL, 190YM, 190YN, 190YO, 190YP, 190YQ, 190YR, 190YS, 190YT, 190YU, 190YV, 190YW, 190YX, 190YY, 190YZ, 190ZA, 190ZB, 190ZC, 190ZD, 190ZE, 190ZF, 190ZG, 190ZH, 190ZI, 190ZJ, 190ZK, 190ZL, 190ZM, 190ZN, 190ZO, 190ZP, 190ZQ, 190ZR, 190ZS, 190ZT, 190ZU, 190ZV, 190ZW, 190ZX, 190ZY, 190ZZ



- NOTES :-
1. Strap terminals 7 & 8 on Tele. 190.
 2. If Strip, Flex. Cord Conn. is not used connect blue conductor of Cord, Inst. No 514 to spare terminal No. 2 on Bell Set.
 3. For C.B.S. No. 2 & 3 SYSTEMS see Diagram C.B.S. 669 (N262 Sheet 2).

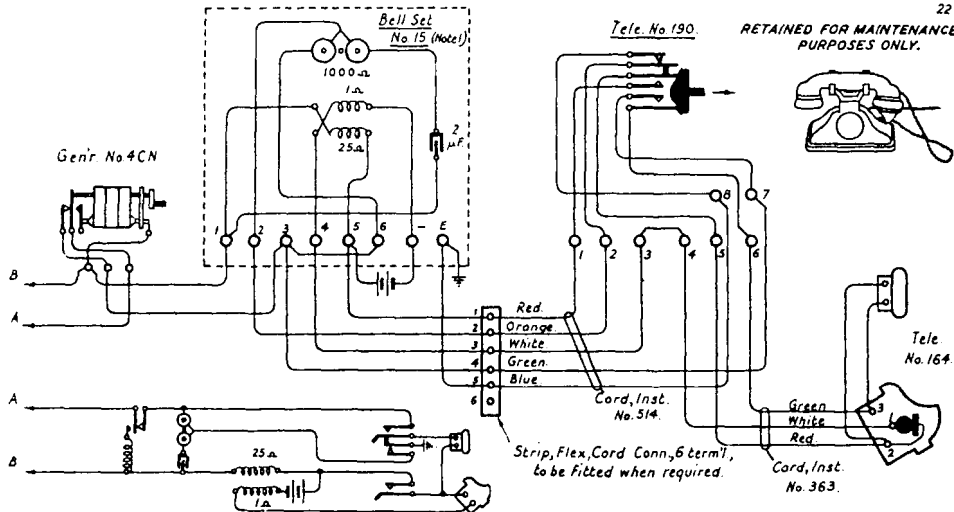
V

TELEPHONE No 190 (WITH BELL SET No.15)

MAGNETO CALL AND AUTO. CLEAR SYSTEM

N.290.
Panel I.

22-6-31.



- NOTES:-**
- 1 Modifications to Bell Set No.15 (a) connect centre point of Bell to terminal No.2
(b) disconnect condenser from term'l E & connect to terminal No.1.
 - 2 For ordinary MAGNETO SYSTEM see Diagram C.B.566B (N262 Sheet 2).

22-6-31
 R.H.