

TELEPHONE No. 188 C.B. (with Bell Set No. 5 C.B.S. No. 1 System).

LARYNGAPHONE.

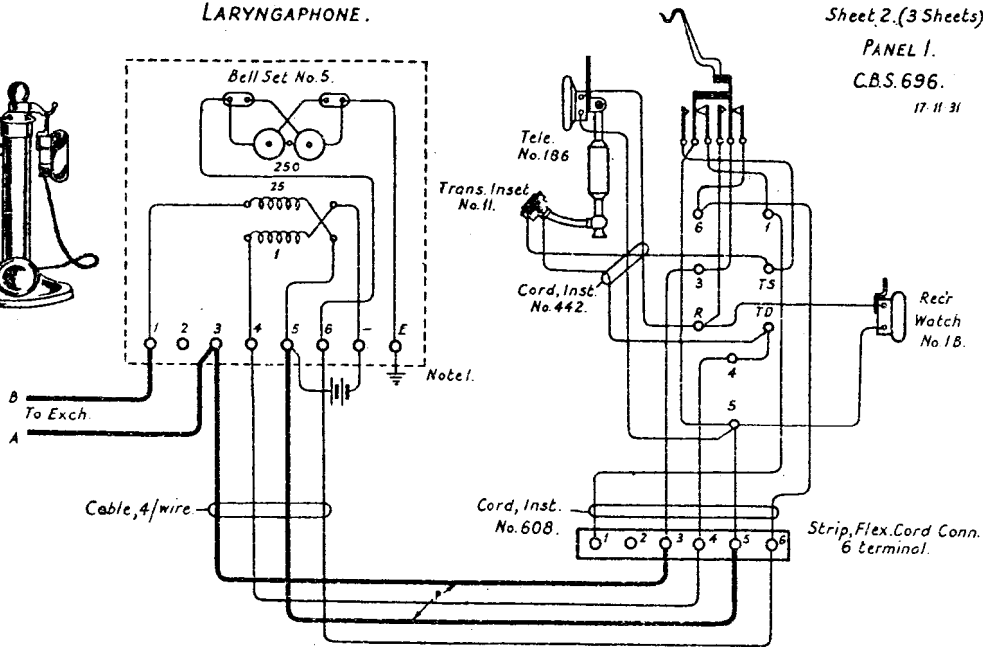
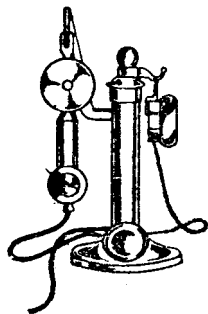
N. 288.

Sheet 2. (3 Sheets)

PANEL I.

C.B.S. 696.

17-11-31



17-11-31
 288

NOTE :-
 1. Connect Extension Bell between terminal E and earth when required.

TELEPHONE No. 188 C.B. (with Bell Set No. 15 C.B.S. No. 2 & 3 Systems).

LARYNGAPHONE.

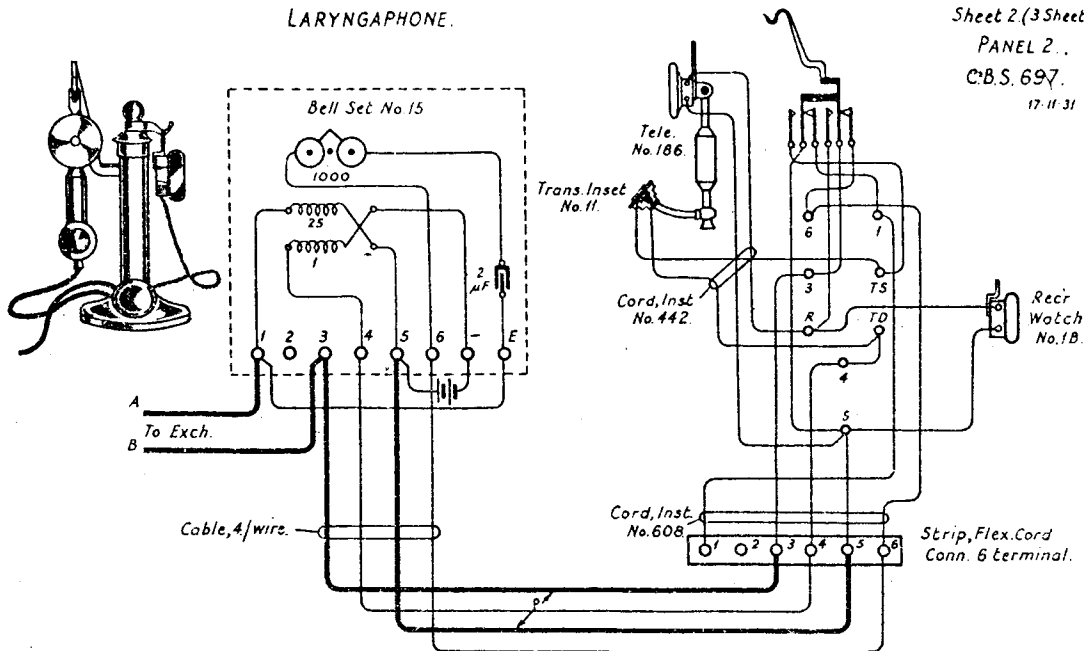
N. 288.

Sheet 2. (3 Sheets)

PANEL 2.

C.B.S. 697.

17. 11. 31



NOTE :-

Remove strap between terminals 1 & E on Bell Set and connect Extension Bell when required.

Pat. No. 1,409,550, 12/24, M. & S.
 P. 26, 24, 91, 409, 550, 12/24, M. & S.

TELEPHONE No.188 C.B. (Magneto System).

LARYNGAPHONE.

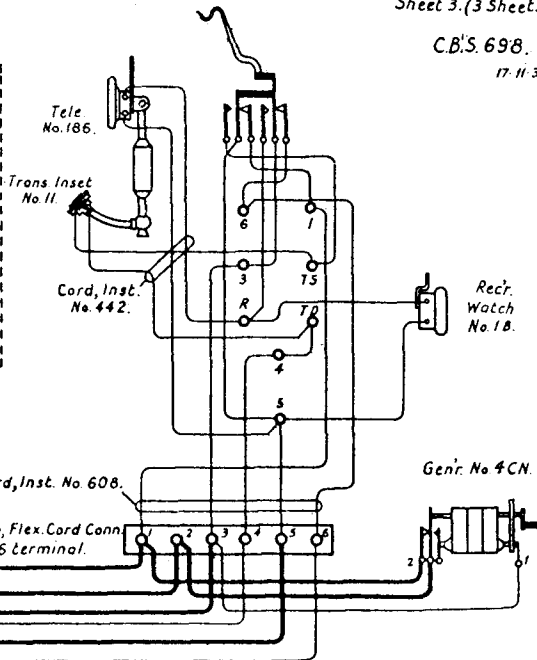
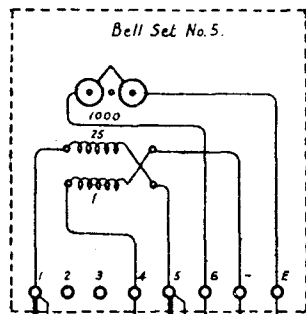
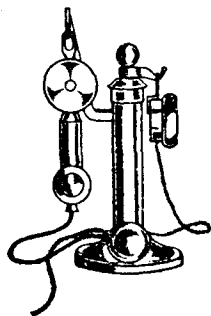
N. 288.

Sheet 3. (3 Sheets).

C.B.'S. 698.

17-11-31

Wm. C. M.



P. 4644

NOTE:-

1. Remove strap between terminals 1 & E on Bell Set and fit Extension Bell when required.