

CIRCULATION

GENERAL

TELEPHONE No. 1/162...

FOR USE WITH BELL SET No. 25 ON C.B. & AUTO SYSTEMS ON DIRECT EXCHANGE LINES ETC.
(SEE N 4200 FOR CONNEXIONS).

N 262

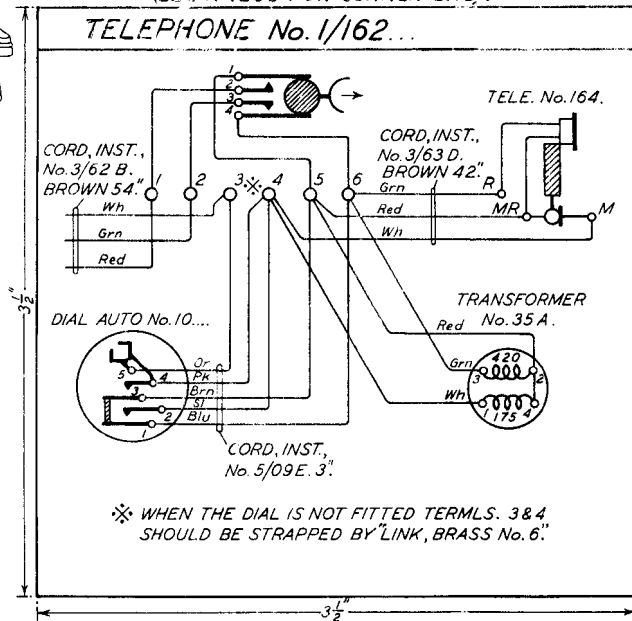
26-11-29

3 PANELS-I

SUPERSEDED BY N332
FOR NEW WORK



TELEPHONE No. 1/162...



805571	D
807564	C
81577	B
	A

SUPERSESSION NOTE ADDED TO PANEL 1
CIRCULATION & PANEL NOS. AMENDED
Sheet 1 re-changed. Super-session note added to sheet 2
See sheets 1 & 2.

Amendment

CIRCULATION
GENERAL.

TELEPHONE No. 162. C.B. (WORKING LOCAL BATTERY.)

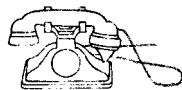
C.B.S. 2 & 3 SYSTEMS.

N. 262.

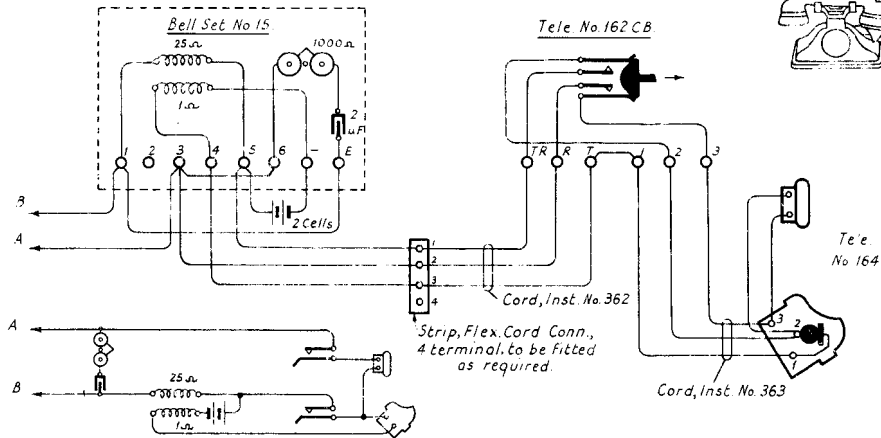
3 PANELS - 2

21 8-30.

SUPERSEDED BY N1297
FOR NEW WORK.



SUPERSESION NOTE ADDED TO PANEL 1 CIRCULATION & PANEL No'S AMENDED Sheet 1 redrawn. Superseision note added. Panel 1. Redrawn. C.B.S. No. 1. selected. Panel 2. Redrawn. Resp. CBII. Auto-Clear deleted.	30.5.57	D
	20.7.57	C
	21.9.57	B
	22.6.58	A
	Amendment	

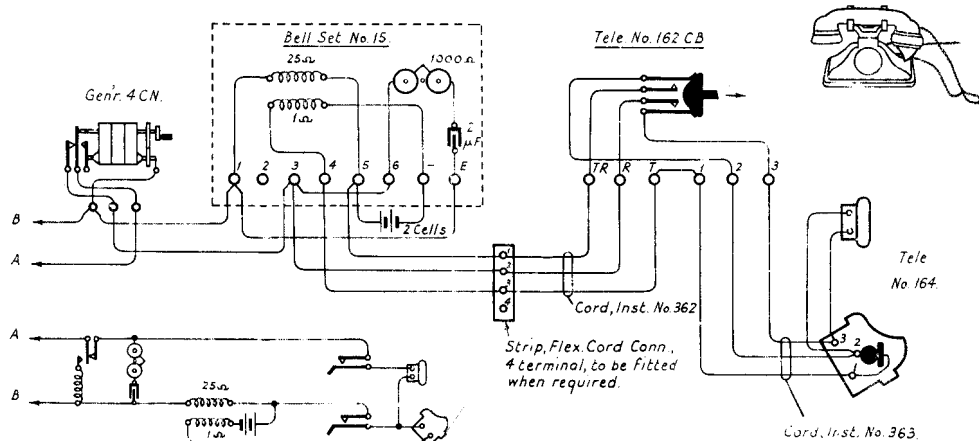


- NOTES :-**
1. The Anti-side tone coil (Transformer No 35A) which is fitted inside the Standard Tele. No. 162 is not required when the instrument is working to a local battery speaking system. The Transformer should therefore be disconnected & left in situ.
 2. For C.B.S. No. 1 SYSTEM see Diagram C.B.S. 688 (N. 290).

N262
3 PANELS - 3

TELEPHONE No. 162 C.B. (WORKING LOCAL BATTERY)

MAGNETO SYSTEM.



- NOTES:-**
1. The Anti-side tone coil (Transformer No. 35A) which is fitted inside the Standard Tele. No. 162 is not required when the instrument is working to a local battery speaking system. The Transformer should therefore be disconnected & left in situ.
 2. For MAGNETO CALL & AUTO CLEAR SYSTEM see Diagram C.B. 687. (N290)