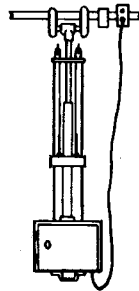
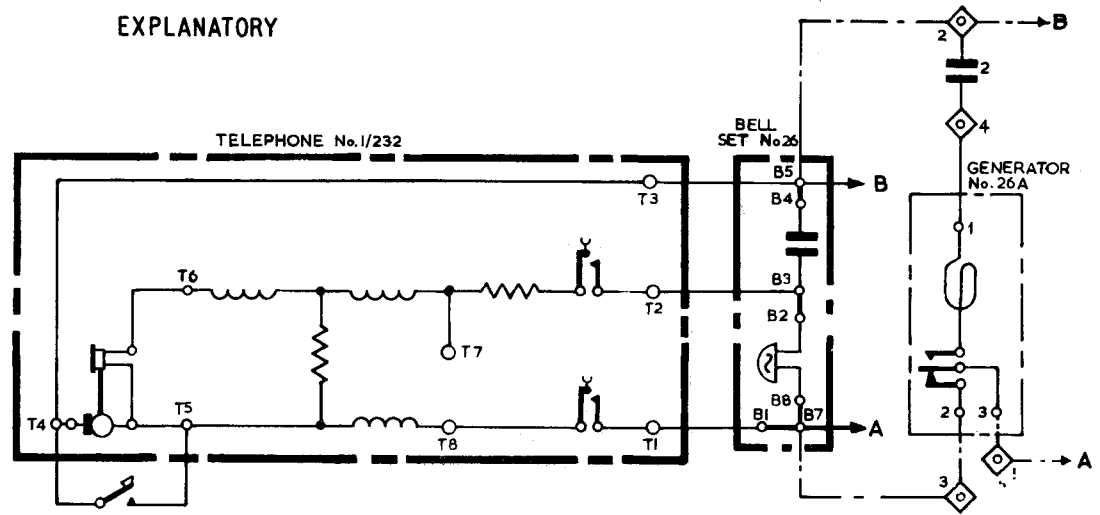


TELEPHONE 152 B  
SUPERSEDES TELES. 152 & 152A

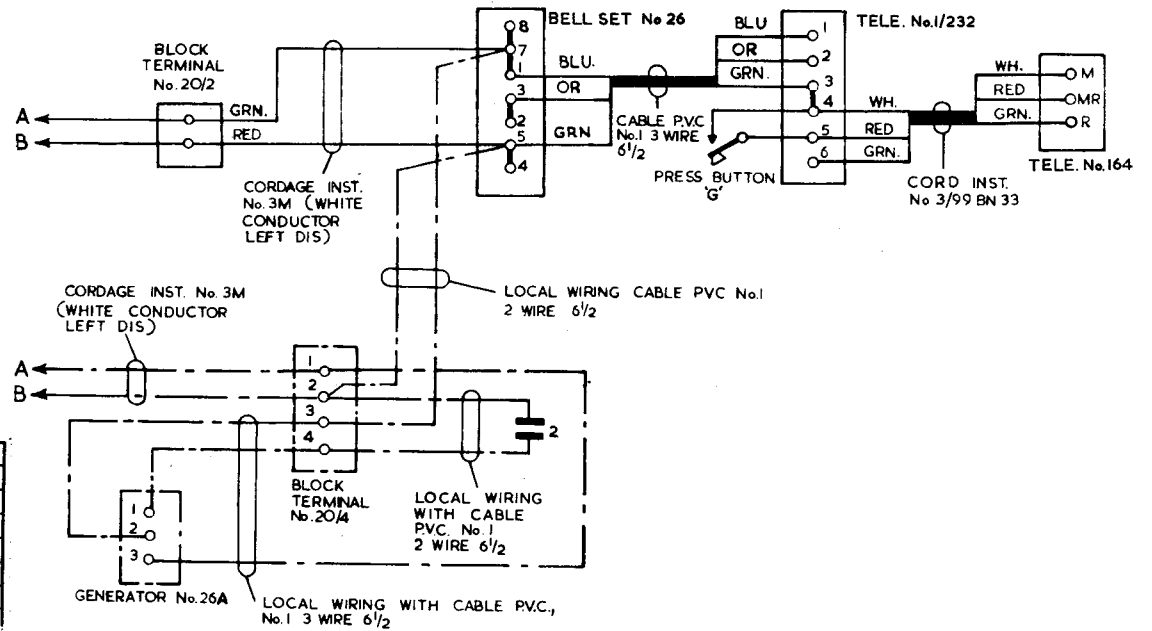
N 252  
PAGE 1-2  
ISSUE D



EXPLANATORY



WIRING



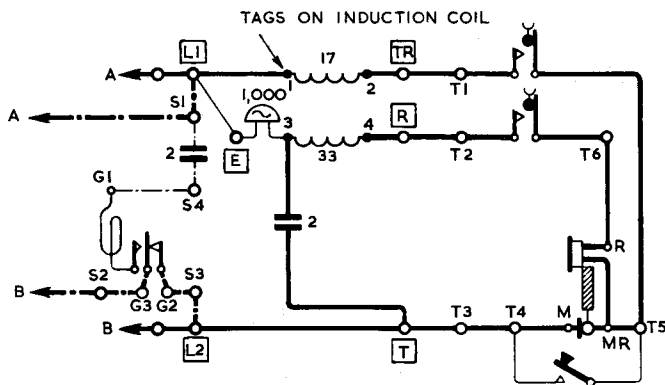
NOTE:-

Telephone 152 B consists of a teak case fitted with brackets, balance weights etc. for suspension from special tubular structure in Billingsgate fishmarket. Includes bell-set 26, telephone 1/232 incomplete & telephone 164 etc., connected as shown in diagram. For extension working, plan 7 & 7A provided additional apparatus & wire as shown thus ——— disconnecting Cordage Inst. 3M from terminal B5 & B7 & connect to terminals BT1 & BT2

P.O.E.D. S BCH.	ISSUES			
PAPER: R				
CIRCULATION SPECIAL	D	NEW FORMAT		19 - 4 - 67
	C	TELE. 152B ADDED	<i>elko</i>	19 - 4 - 60
		E. S. R.	S1	10 - 7 - 36

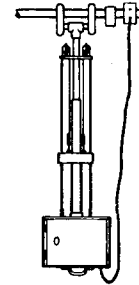
EXPLANATORY DIAGRAM

TERMINAL POINTS	
G	= GENERATOR
□	= BELL SET
S	= STRIP
T	= TELEPHONE

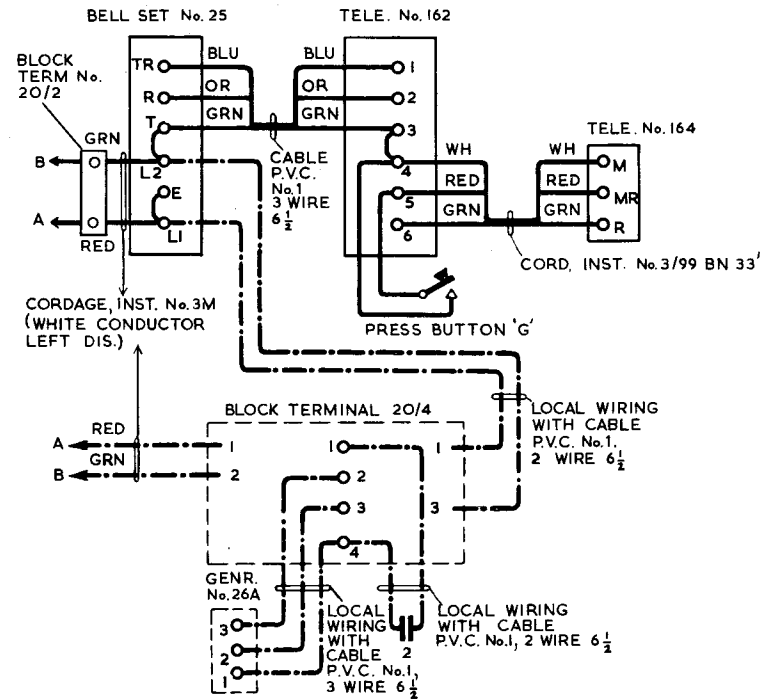


NOTE:-

Telephone 152 A consists of a teak case fitted with brackets, balance weights etc. for suspension from special tubular structure in Billingsgate fishmarket. Includes bell-set 25, telephone 162 incomplete & telephone 164 etc, connected as shown in diagram. For extension working, plan 7 & 7A, provide additional apparatus & wire as shown thus ----- disconnecting Cordage Inst. 3M from terminals L1 & L2 & connect respectively to terminals 1 & 2 on block terminal 20/4.



WIRING DIAGRAM



NOTE:-

For extension working, plan 7 & 7A provide additional apparatus and wiring shown thus -----