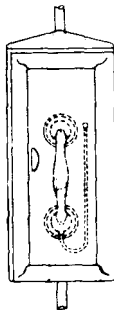


CIRCULATION

GENERAL

44	D	MADE 4 PANELS, MINOR CORRECTIONS
45	C	CORDAGE & WIRING AMENDED.
46	B	CORDAGE & WIRING AMENDED.
47	A	PROTECTOR & FUSE No. 1 B/2, ADDED AS ALTERNATIVE.
AMENDMENT		

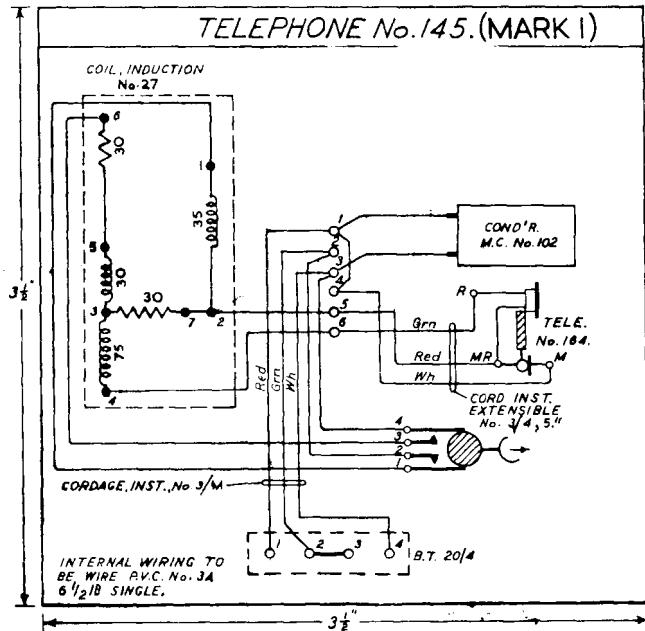


TELEPHONE No. 145

C.B. AND AUTO. SYSTEMS FOR USE ON CAB RANKS.

NOTE:- LABEL DIAGRAMS TO BE TO DIMENSIONS GIVEN.

TELEPHONE No. 145. (MARK I)



N 245

1-6-37.

4 PANELS-1

SUPERSEDES FOR NEW WORK
N 175.

NOTES:-

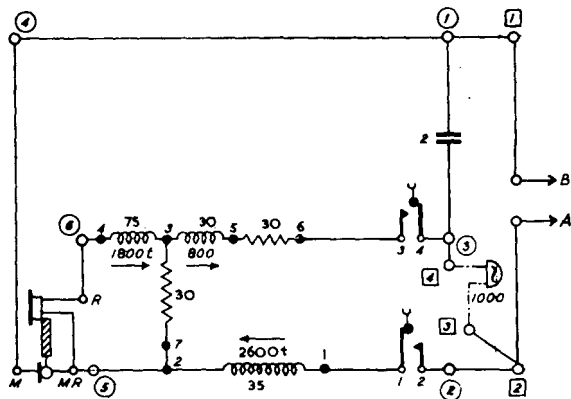
1. ENDS OF LEADING IN CABLES FOR LINE AND BELL TO BE SEALED WITH COMPOUND IN BT 20/4
2. EXTENSION BELL TO BE CONNECTED ACROSS TERMINALS 2 & 3 B.T. 20/4 WHEN REQUIRED.

W

N 245

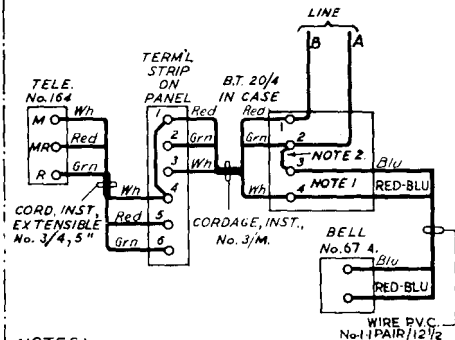
4 PANELS-2

TELEPHONE No.145 MARK I EXPLANATORY



- TERMINALS OF B.T. 20/4.
- TERMINALS OF STRIP IN PANEL.

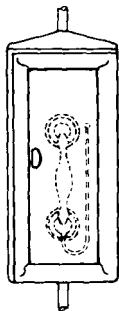
TELEPHONE No.145
MARK I. WIRING



NOTES:-

1. CABLE ENDS TO BE SEALED IN BT. No.20/4.
2. IF EXTENSION BELL IS REQUIRED REMOVE STRAP BETWEEN TERMINALS 2 & 3 BT. 20/4, CONNECT BELL TO TERMINALS.

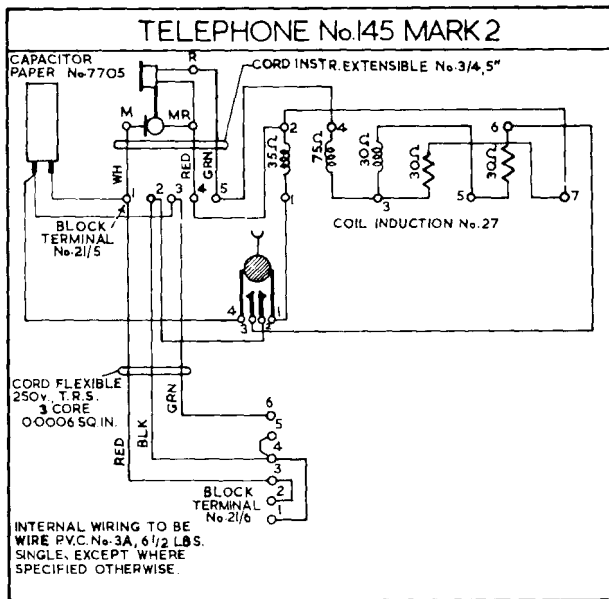
PAPER	W	Amend	MADE 4 PANELS. MINOR CORRECTIONS CORDAGE & WIRING AMENDED. CORDAGE & WIRING AMENDED. PROTECTOR & FUSE No. 2/2 ADDED AS ALTERNATIVE.	CIRCULATION
		Suffix	4-4-59 D 19-2-57 C 12-55 B 1-9-52 A	GENERAL



TELEPHONE No.145

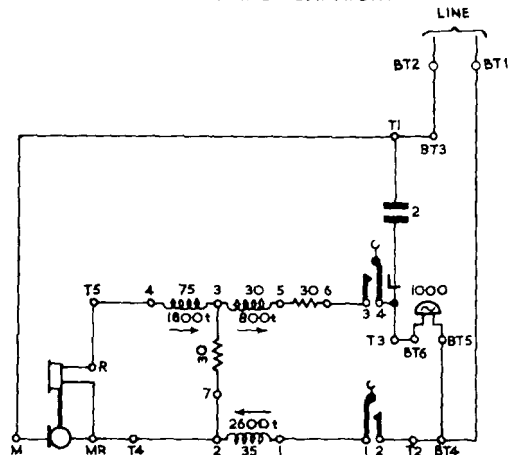
C.B. AND AUTO SYSTEMS FOR USE ON CAB RANKS

N245
4 PANELS-3
1-6-37



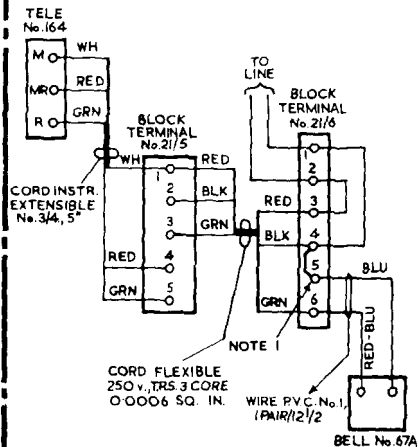
N245
4 PANELS-4

TELEPHONE No.145 MARK 2 EXPLANATORY



'T' TERMINALS OF BLOCK TERMINAL No. 21/5
'BT' TERMINALS OF BLOCK TERMINAL No. 21/6

TELEPHONE No.145 MARK 2
WIRING



NOTES:-

1. IF EXTENSION BELL IS REQUIRED REMOVE STRAP BETWEEN TERMINALS 4 & 5, B.T. No. 21/6, CONNECT BELL TO TERMINALS.