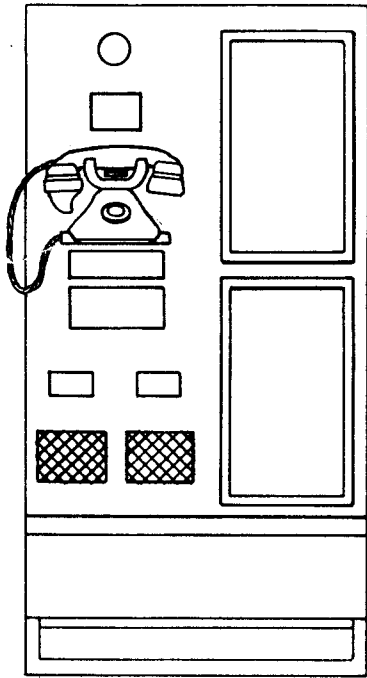
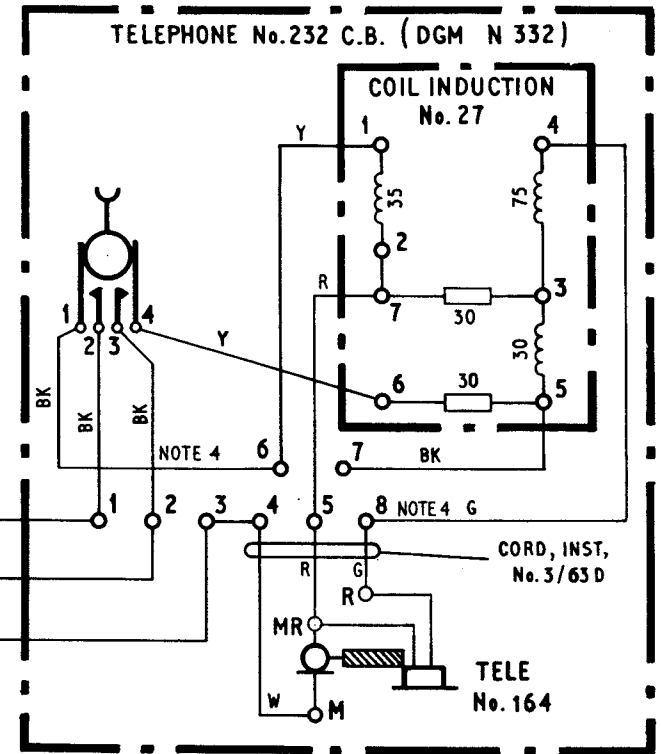
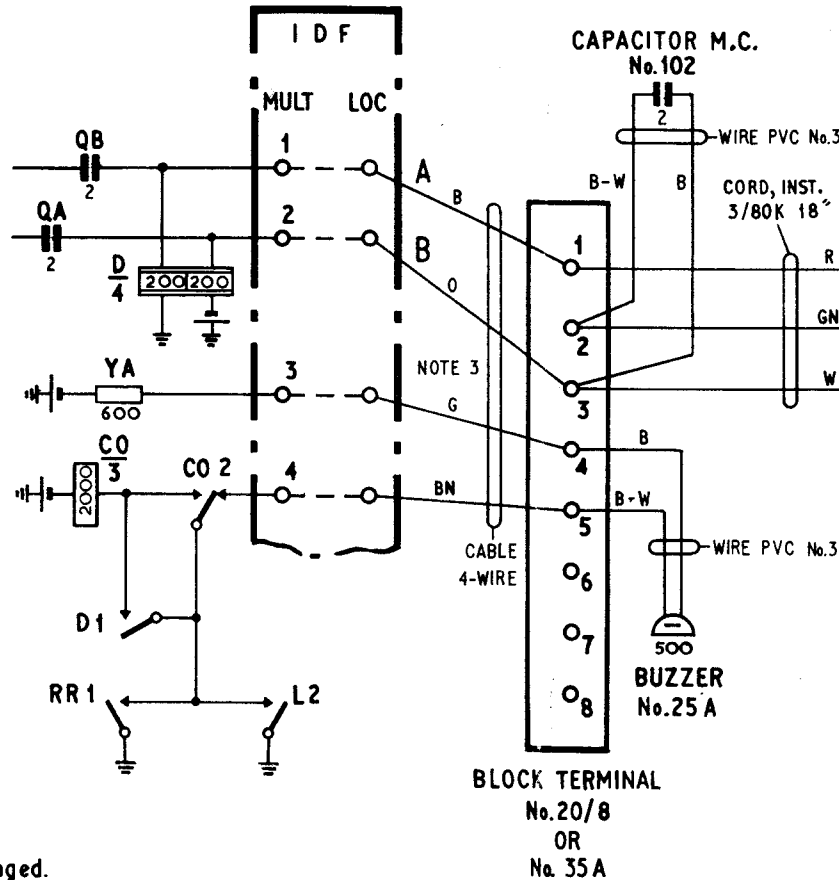


TELEPHONE 143 (MK.4)  
SPECIAL FAULTS TELEPHONE - AUTOMATIC EXCHANGES

N 243  
ISSUE B



PART OF DIAGRAMS AT3842, AT1862 OR AT5958 (EXPLANATORY PURPOSES ONLY)



NOTES:-

1. A Tele No.232 C.B. is the same as a Tele No. 1/232 C.B except that the Base, Tele, No.1/162 is replaced by Part 1/SBA/2.
2. The Cord, Inst, No.3/62B.54" is recovered, and replaced by Cord, Inst, No.3/8OK 18".
3. On early installations the orange and green conductors were interchanged.
4. On some early telephones terminals 6 & 8 were interchanged (see Dgm N332)

APPARATUS SCHEDULE	
DESCRIPTION	No.OFF
Block, Terminal No.20/8 or No.35A	1
Bracket, Telephone, No.12	1
Buzzer No.25 A	1
Cord, Instrument, No.3/8OK	1
Capacitor M.C.No.102 with Cover	1
Frames, Notice, No.19	1
Frames, Notice, No.21	2
Glass No. 32	1
Glasses No. 34	2
Labels No.42 White	2
Tele.No.232 C.B. Black	1
Ticket-Clip No.10	1
Ticket-Racks No.2	2

P.O. TELECOMMS HQRS PAPER:- Y	ISSUE		
CIRCULATION NIL	B	REDRAWN AND UPDATED. MADE YELLOW. TD 2:3:1 SECTION E. R.	P.E. 28-6-72 12-4-45

FOR SUPERSEDING ARRANGEMENT  
SEE TI E6A0420