

TELEPHONE No.135.

ARRANGED FOR C.B.S. No.1 WORKING.

LARYNGAPHONE.

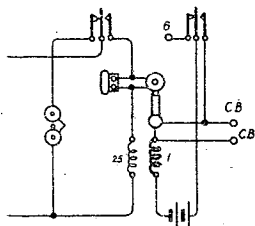
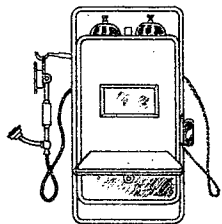
N.235.

Sheet 1. (3 Sheets)

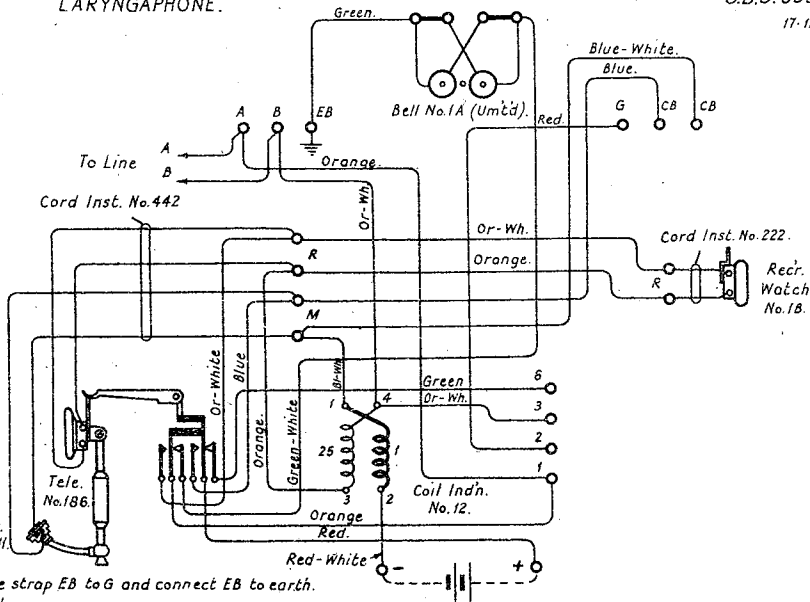
C.B.S. 693.

17-11-31

C.B.S.



Explanatory.



NOTES:-

1. For C.B.S. No.1 working remove strap EB to G and connect EB to earth.
2. Connect Bell Coils in parallel.
3. Connect Extension Bell between EB and earth when required.

P. 6644, 9/1909, 5500, 12/31, M & S.

TELEPHONE No.135.

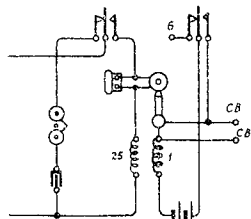
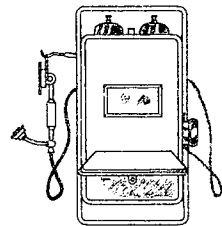
ARRANGED FOR C.B.S. No. 2 & 3 WORKING.
LARYNGAPHONE.

N. 235.

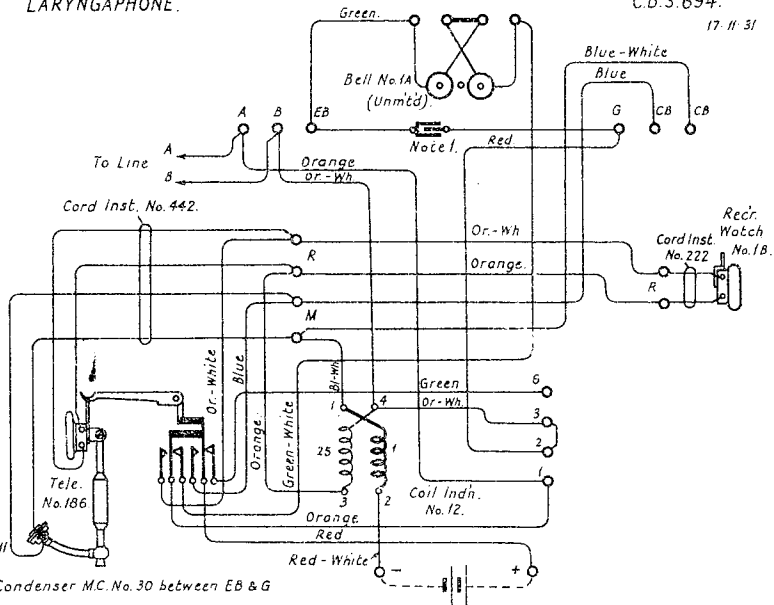
Sheet 2 (3 Sheets).

C.B.S. 694.

17. 11. 31



Explanatory



NOTES :-

1. For C.B.S. 2 & 3 working fit Condenser M.C. No. 30 between EB & G and strap terminals 2 & 3.
2. Bell Coils to be joined in series.
3. Fit Extension Bell between EB & condenser when required.

P. 4644

TELEPHONE No.135.

ARRANGED FOR MAGNETO WORKING.

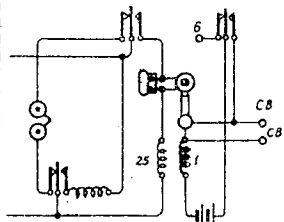
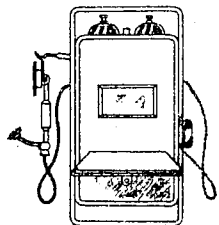
LARYNGAPHONE.

N.235.

Sheet 3 (3 Sheets).

C.B.S.695.

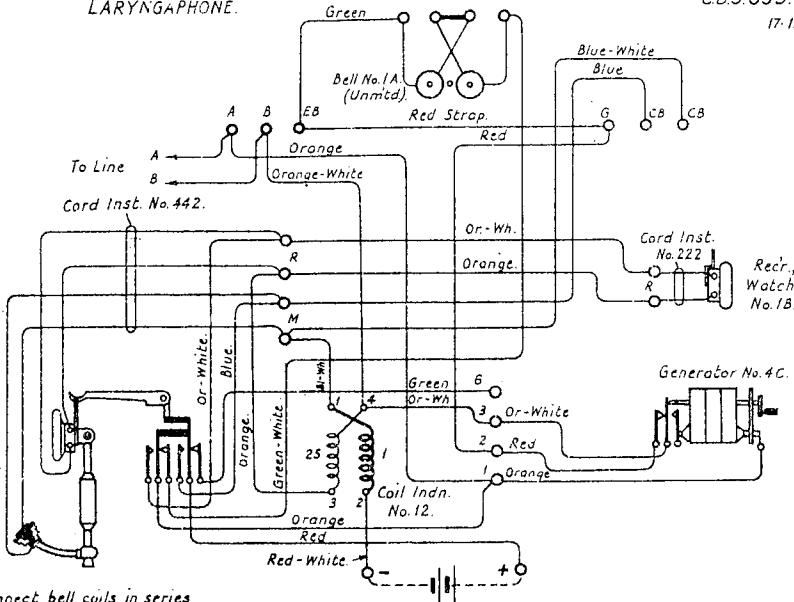
17-11-31



Explanatory.

Tele. No.186.

Trans. Inset No.11.



NOTES:-

1. For magneto working connect bell coils in series.
2. IF Extension Bell is required remove strap between EB & G and connect bell thereto.

100/11/1

F4664