

TELEPHONE No.133 C.B.

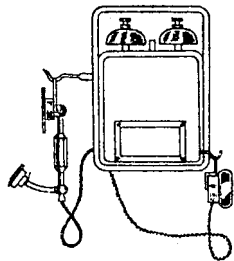
N.233.

LARYNGAPHONE.

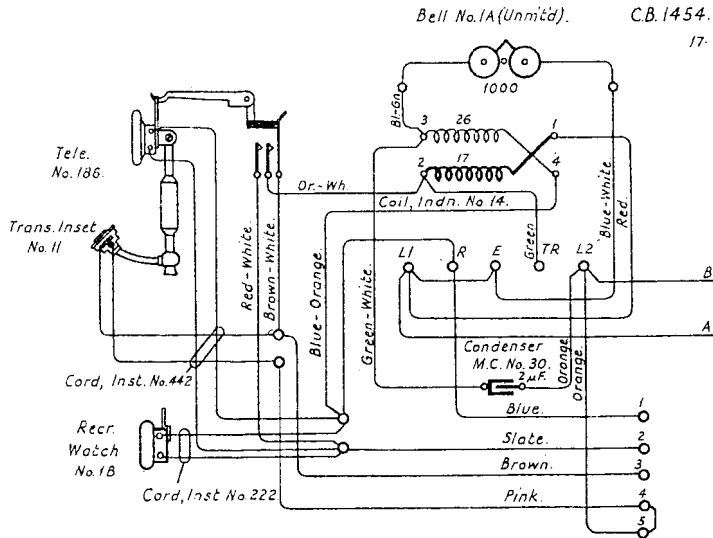
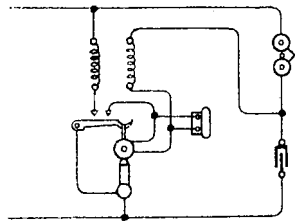
PANEL I.

C.B.1454.

17-11-31



Explanatory



NOTES :-

- 1 Strap terminals 4 & 5 for C.B. working.
- 2 Remove strap L1-E and fit Extension Bell when required.

133

TELEPHONE No.133 C.B. (Modified For Auto. Working).

LARYNGAPHONE.

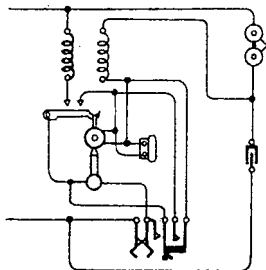
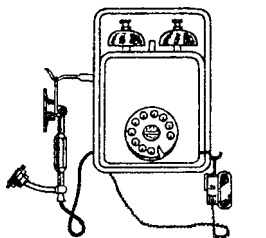
N.233.

PANEL 2.

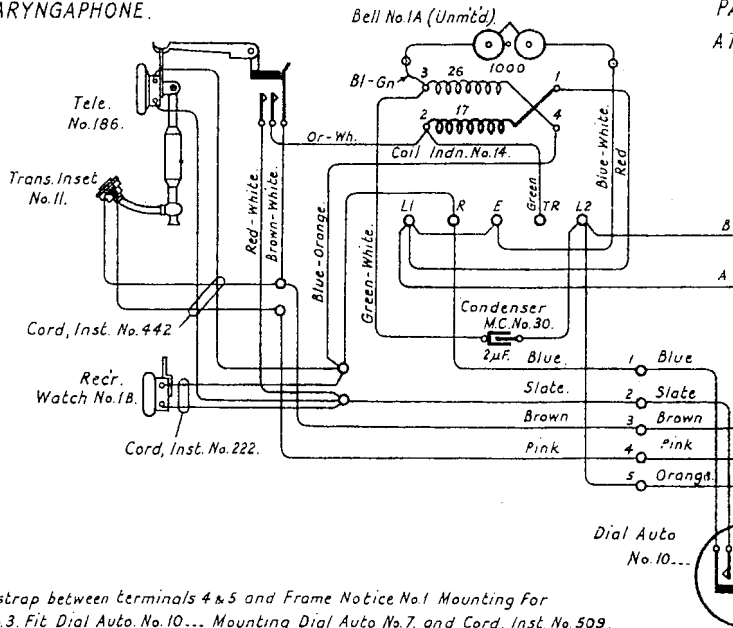
AT.2301.

17-11-31

Kamm, C. H. C.

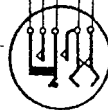


Explanatory.



NOTES :-

1. For auto. working recover strap between terminals 4 & 5 and Frame Notice No.1 Mounting For Frame Notice No.1 Glass No.3. Fit Dial Auto. No.10... Mounting Dial Auto No.7. and Cord, Inst. No. 509.
2. Remove strap LI-E and fit Extension Bell when required



P.4643 91409, 7000, 12/31, M & S.