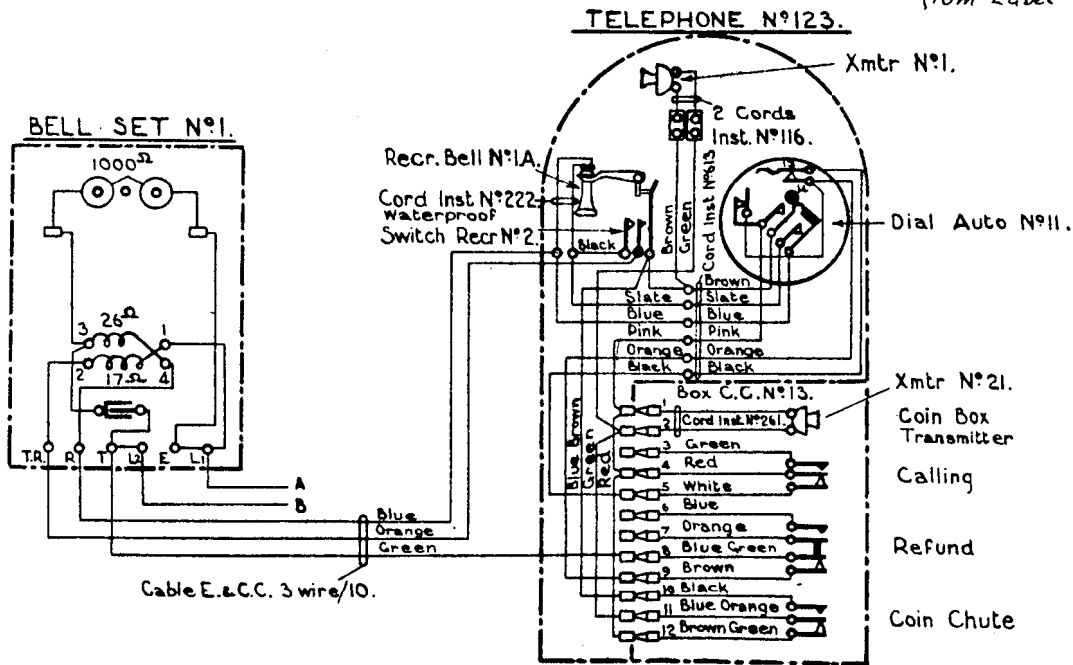


# TELEPHONE N°123.

# N223

Transposed  
from Label



# TELEPHONE N° 123.

## WIRING DIAGRAM FOR AUTOMATIC CIRCUITS

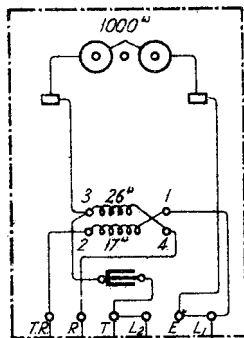
Supersedes Tele: N° 119

N. 223<sup>A</sup> 21 5 26

A.T. 1860. (3 Sheets)

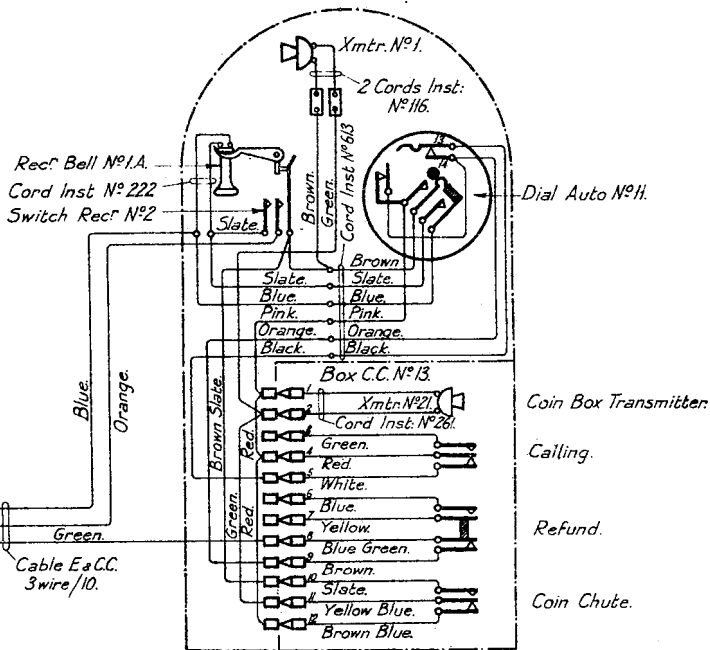
SHEET 1.

BELL SET N° 1.



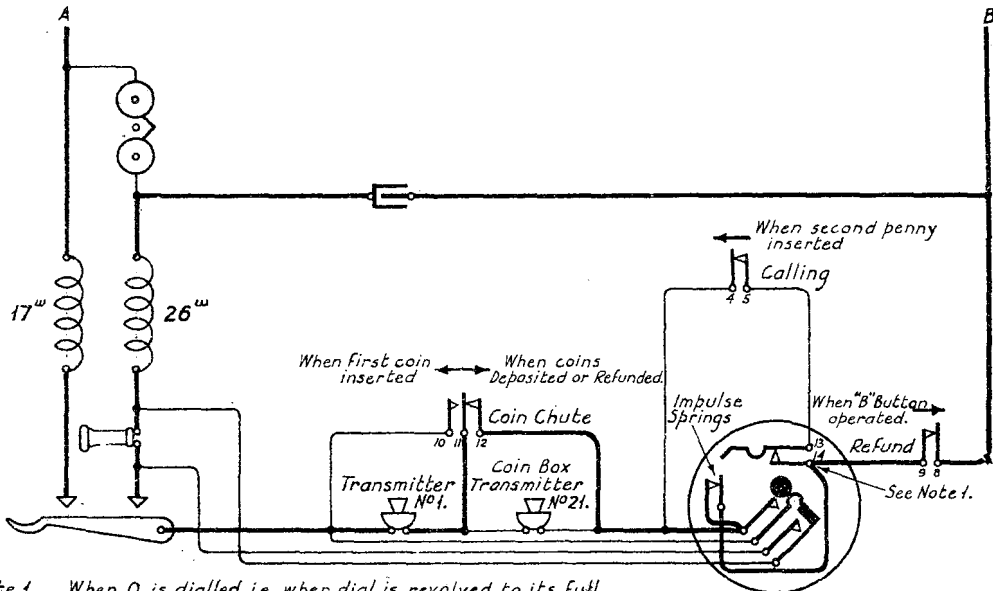
Rec'd Bell N° 1.A.  
Cord Inst N° 222  
Switch Rec'd N° 2

TELEPHONE N° 123.



**TELEPHONE N° 123.**  
**EXPLANATORY DIAGRAM OF CIRCUIT.**

**N. 223<sup>A</sup> 12.6.26.**  
**A.T. 1860. (3 SHEETS)**  
**SHEET 2.**



*Note 1. When O is dialled i.e. when dial is revolved to its full extent, contacts 13 and 14 are opened and remain so until end of tenth impulse, and then close.*

TELEPHONE No. 123.

With Box, Coin Collecting, No. 13.

Schedule of Tests to prove the Correct Operation of Prepayment  
Multi-Coin Box.  
Automatic System.

N. 223<sup>A</sup>  
(A.T. 1860)  
(Sheet No. 3)  
July, 1926.

z [29 10.261 (33)27662-2(27113-2) Wt 18454-3997 4000 12/26 E & S

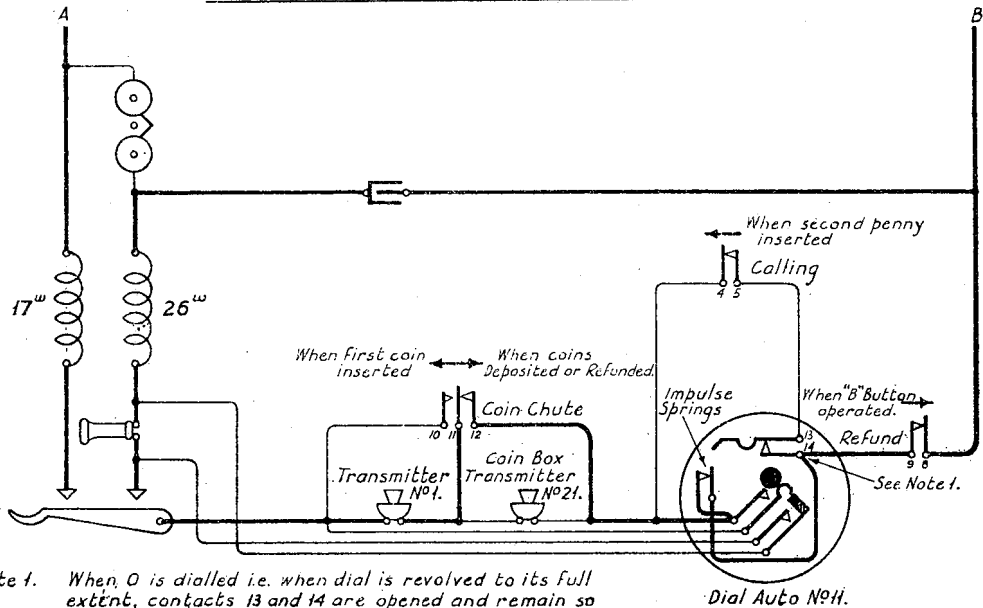
Operation.	Test for	Conditions if Circuit and Apparatus are Clear of Faults.
1. Remove receiver... ..	Calling circuit conditions ... ..	Dialling tone received.
2. Dial "0"... ..	Correct functioning of special impulse control cam on the dial.	Manual Board operator called.
3. Flash switch-hook slowly ...	Manual Board "Hold" condition.	Supervisory signal on Manual Board flashes.
4.*Insert two tokens ... ..	Correct operation of (wire) gong signal.	Operator hears correct (penny) gong signals.
5.—(a) Press button "B" ... ..  (b) Restore receiver ... ..	(a)—(1) Refundment of tokens ... (2) Delayed return of springs operated by "B" button. (b) _____	(a)—(1) Tokens refunded. (2) Operator receives clearing signal for about seven seconds. (b) _____
6.—(a) Remove receiver and if dialling tone heard, dial Test Desk No. (b) Restore receiver ... ..	(a) Short circuit on dial until two tokens inserted. (b) _____	(a) Dialling tone should persist. (b) _____
7.—(a) Remove receiver and if dialling tone heard, insert two tokens. (b) Dial Test Desk No.... .. (c) Press button "B"... .. (d) Restore receiver ... ..	(a) Removal of short circuit from dial when two tokens inserted. (b) Correct operation of dial ... (c) Disconnection of circuit ... (d) _____	(a) and (b) Test Desk answers, but cannot hear call office as telephone transmitter is short circuited. (c) Connection released. (d) _____
8.—(a) Repeat 7 (a) and (b) ... .. (b) Press button "A" when Test Desk answers.	(a) As above ... .. (b)—(1) Deposit of tokens ... .. (2) Removal of short circuit from telephone transmitter.	(a) As above. (b)—(1) Tokens deposited. (2) Call Office telephone restored to normal and conversation can proceed.

\* Sixpenny and shilling gong signals will be tested similarly when necessary by using the equivalent coin.

# TELEPHONE N<sup>o</sup> 123.

## EXPLANATORY DIAGRAM OF CIRCUIT.

N. 223.<sup>B</sup> 12.6.26.  
A.T. 1860.<sup>B</sup> (3 SHEETS)  
SHEET 2.



Note 1. When 0 is dialled i.e. when dial is revolved to its full extent, contacts 13 and 14 are opened and remain so until end of tenth impulse, and then close.

CIRCULATION

C B & AUTO

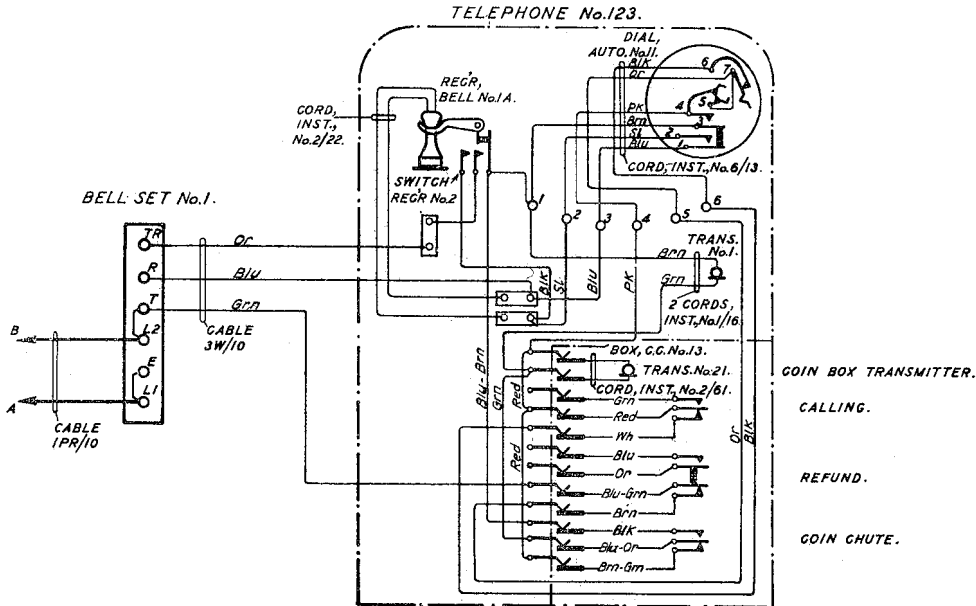
# TELEPHONE No.123.

WIRING DIAGRAM FOR AUTOMATIC CIRCUITS OTHER THAN  
 UNITS AUTO. Nos 5 & 6.  
 SUPERSEDES TELE. No.119.

N 223.

25-5-26.  
 SHEET 1 (3 SHEETS)  
 SUPERSEDED FOR NEW WORK  
 BY N2408.

Revised, Suppression note added & Dial No. A.T.100 omitted. (Sheets 2 & 3 redrawn).	C
Colours altered.	4-37
Redrawn. Full colour schema added.	57032A B
	92775 A
Amendment	



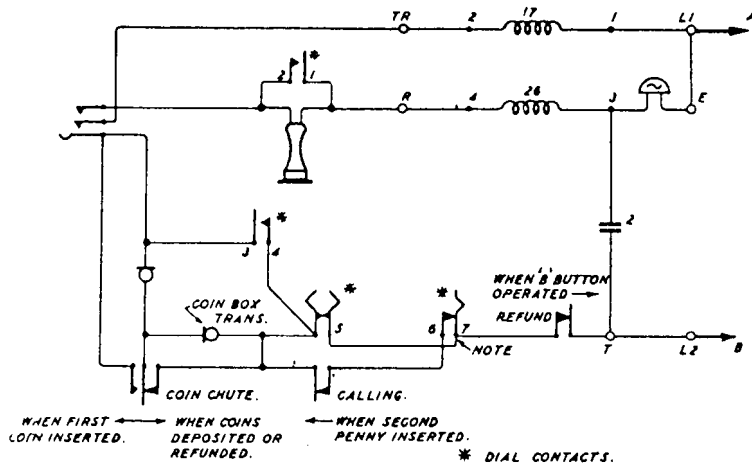
# TELEPHONE No. 123.

## EXPLANATORY DIAGRAM.

N 223.  
12-8-26.  
SHEET 2. (3 SHEETS).  
SUPERSEDED FOR NEW WORK  
BY H 2408.

67	C		
	B		
	A		

Dist. Sheet 1, 2, 3, 4, 5  
Suppl. Sheet 1, 2, 3, 4, 5  
BY 1880 omitted (Sheets 1 & 3 replaced)  
67/10/11. Suppl. sheet made and added to Dist. No. 67  
Arrangement



NOTE. WHEN '0' IS DIALED I.E. WHEN DIAL IS REVOLVED TO ITS FULL EXTENT, CONTACTS 6 & 7 ARE OPENED AND REMAIN SO UNTIL END OF TENTH IMPULSE, AND THEN CLOSE.

CIRCULATION  
C.B. & AUTO.

TELEPHONE No. 123 WITH BOX COIN COLLECTING No. 13. N 223  
 SCHEDULE OF TESTS TO PROVE CORRECT OPERATION OF PREPAYMENT MULTI-COIN BOX. MARCH 1928.  
 AUTOMATIC SYSTEM. SHEET 3.  
 (3 SHEETS).

SHEETS 1 & 2 SUPERSEDED FOR  
NEW WORK BY N-2408.

1-737 C  
B  
 Prepayment Dial number AT 1860  
 omitted. (Sheets 1 & 2 redrawn).  
 Not shown on printer's litho.  
 Amendment

OPERATION.	TEST FOR	CONDITIONS IF CIRCUIT AND APPARATUS ARE CLEAR OF FAULTS.
1. REMOVE RECEIVER... ..	CALLING CIRCUIT CONDITIONS... ..	DIALLING TONE RECEIVED.
2. DIAL "0" ... ..	CORRECT FUNCTIONING OF SPECIAL IMPULSE CONTROL CAM ON THE DIAL.	MANUAL BOARD OPERATOR CALLED.
3. FLASH SWITCH-HOOK SLOWLY.	MANUAL BOARD "HOLD" CONDITION.	SUPERVISORY SIGNAL ON MANUAL BOARD FLASHES.
4.* INSERT TWO TOKENS... ..	CORRECT OPERATION OF (WIRE) GONG SIGNAL.	OPERATOR HEARS CORRECT (PENNY) GONG SIGNALS.
5. (a) PRESS BUTTON "B"... ..  (b) RESTORE RECEIVER... ..	(a)-(1) REFUNDMENT OF TOKENS. ... (2) DELAYED RETURN OF SPRINGS OPERATED BY "B" BUTTON.  (b) _____	(a)-(1) TOKENS REFUNDED. (2) OPERATOR RECEIVES CLEARING SIGNAL FOR ABOUT SEVEN SECONDS.  (b) _____
6. (a) REMOVE RECEIVER AND IF DIALLING TONE HEARD, DIAL TEST DESK No. ... .. (b) RESTORE RECEIVER... ..	(a) SHORT CIRCUIT ON DIAL UNTIL TWO TOKENS INSERTED.  (b) _____	(a) DIALLING TONE SHOULD PERSIST.  (b) _____
7. (a) REMOVE RECEIVER AND IF DIALLING TONE HEARD, INSERT TWO TOKENS. ... .. (b) DIAL TEST DESK No. ... .. (c) PRESS BUTTON "B"... .. (d) RESTORE RECEIVER. ... ..	(a) REMOVAL OF SHORT CIRCUIT FROM DIAL WHEN TWO TOKENS INSERTED.  (b) CORRECT OPERATION OF DIAL... .. (c) DISCONNECTION OF CIRCUIT... .. (d) _____	(a) AND (b) TEST DESK ANSWERS, BUT CANNOT HEAR CALL OFFICE AS TELEPHONE TRANSMITTER IS SHORT CIRCUITED.  (c) CONNECTION RELEASED.  (d) _____
8 (a) REPEAT 7 (a) AND (b). ... .. (b) PRESS BUTTON "A" WHEN TEST DESK ANSWERS.	(a) AS ABOVE ... .. (b)-(1) DEPOSIT OF TOKENS... .. (2) REMOVAL OF SHORT CIRCUIT FROM TELEPHONE TRANSMITTER.	(a) AS ABOVE. (b)-(1) TOKENS DEPOSITED. (2) CALL OFFICE TELEPHONE RESTORED TO NORMAL AND CONVERSATION CAN PROCEED.

\* SIXPENNY AND SHILLING GONG SIGNALS WILL BE TESTED SIMILARLY WHEN NECESSARY BY USING THE EQUIVALENT COIN.

Y