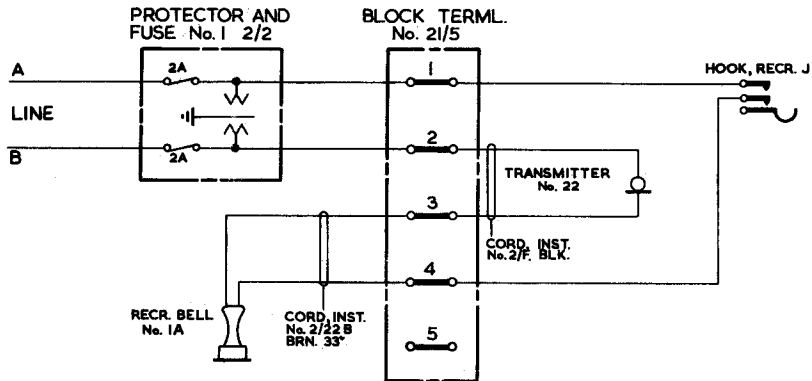


CIRCLE
SPECIAL

TELEPHONE No.97

FOR USE ON STREET FIRE ALARM SYSTEMS. C.B. SIGNALLING.

N 197
15-2-27
(FOR MTRNCE. PURPOSES
ONLY. NOT TO BE USED
FOR NEW WORK).



NOTE:-
TO BE WIRED WITH WIRE F.P. P.V.C.
1 WIRE/12½ OR WIRE F.P. L.R.V. 1 WIRE/12½

AMENDT.

PAPER
R