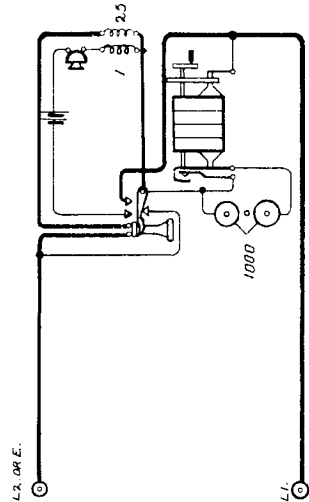
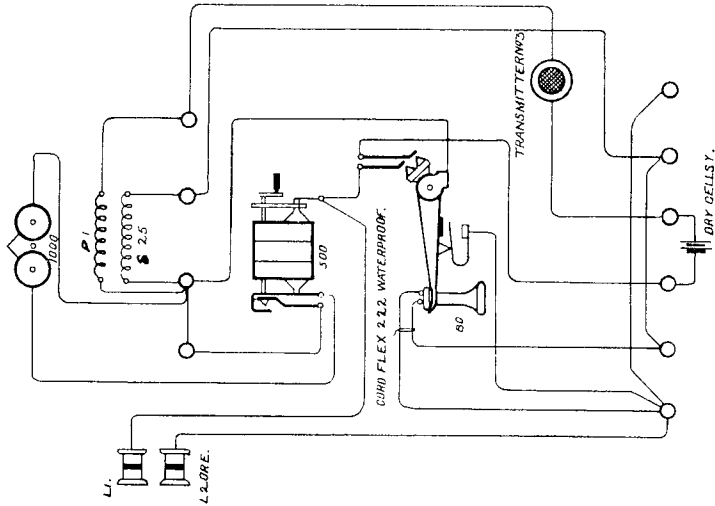
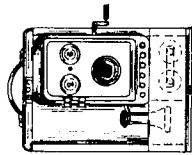


TELEPHONE N^o 92.
(MARK 234.)

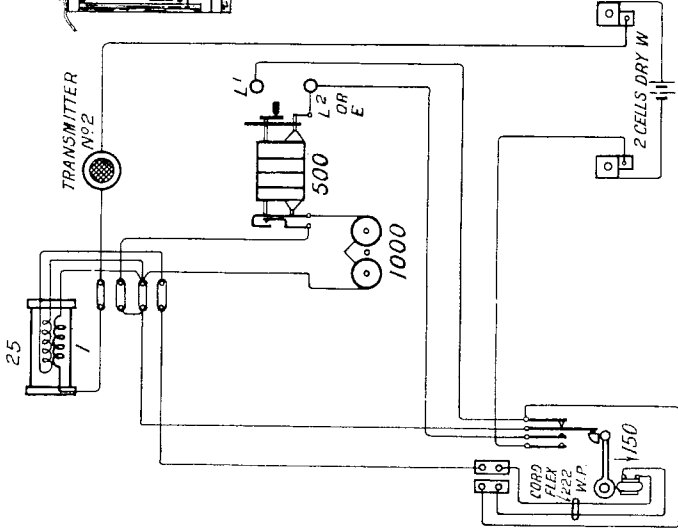
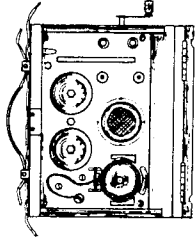
(SHEET 1) N192 17.4.17.
(3 SHEETS.) T. L. 588.



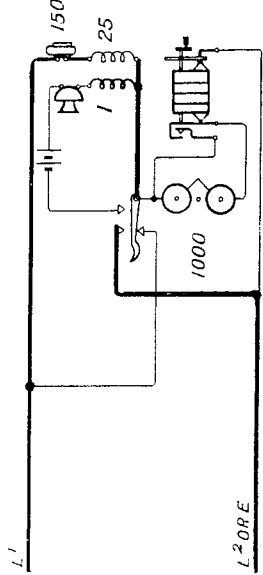
2A

TELEPHONE No 92
(MARK 235)

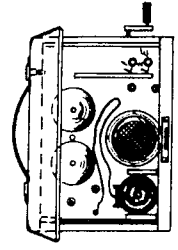
(SHEET 2) N. 192 24.3.17.
T.L 589



EXPLANATORY



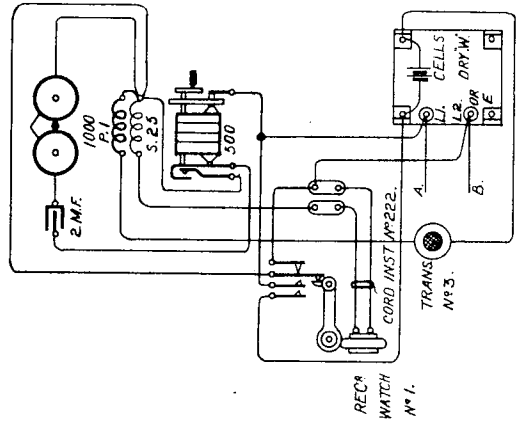
18 1.4.11



TELEPHONE N^o 92A.

(SHEET 3)

N.192. 16.10.17.
T.L. 605.



NOTE:— TO PROVIDE FOR COMMUNICATION WITH C. B. EXCH.^s (BATTY. POSITIVE TO A LINE), AS WELL AS WITH MAG. & C. B. S. EXCH.^s, THE CORD N° 222, SHOULD BE SO CONNECTED TO THE REC.^r THAT WHEN POSITIVE IS JOINED TO THE RED-BOUND CONDUCTOR & NEGATIVE TO THE GREEN, THE MAGNETIZATION OF THE REC.^r CORES, DUE TO THE PERMANENT MAGNETS, WILL BE INCREASED.
WHEN USED ON C. B. S. SYSTEM, THE EXCH. OP.^r RECEIVES A SINGLE CLEAR ONLY. THE OP.^r CAN BE FLASHED IN BY TAPPING AN EARTH-CONNECTED WIRE AGAINST TERM. L. I., WHEN NECESSARY.

