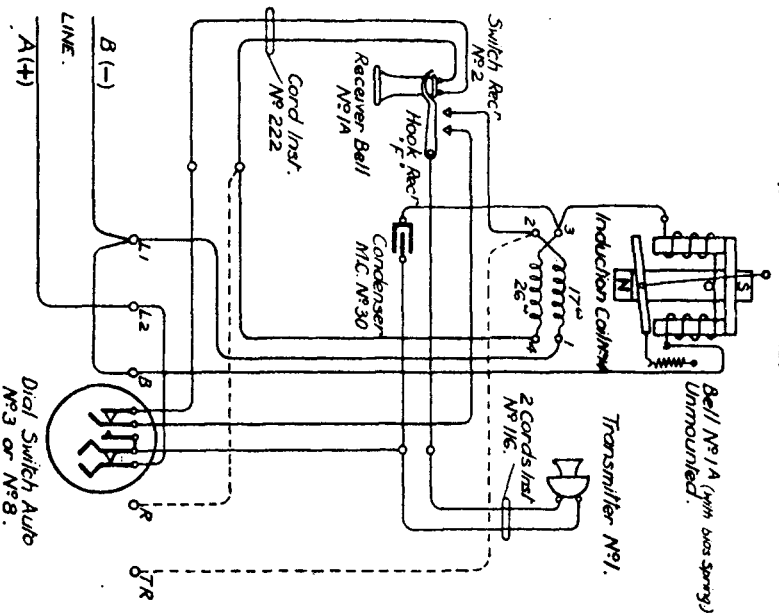


# AUTOMATIC SYSTEM

## TELEPHONE N° 77.

N.177<sup>A</sup> 9.8.21.  
A.T. 501<sup>E</sup>

TELEPHONE N° 77.  
(MARK 234.)

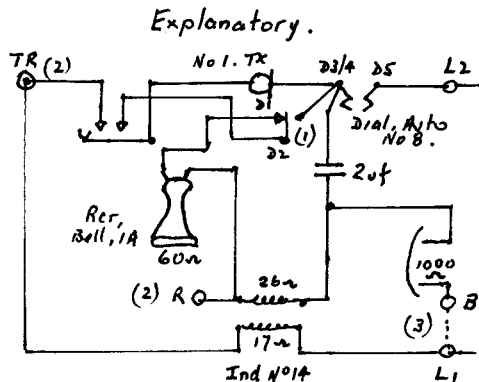
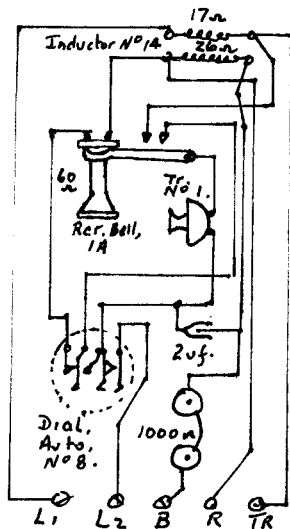


- Notes:
1. In Mark 235 the dotted wires & terminals are added.
  2. A direct current through Bell coils with + on terminal B should pull armature against bias spring.

TELEPHONE N° 77  
(Automatic Systems)

N177  
AT772 B

Transposed from N14B7 B of 16.1.23



NOTES:-

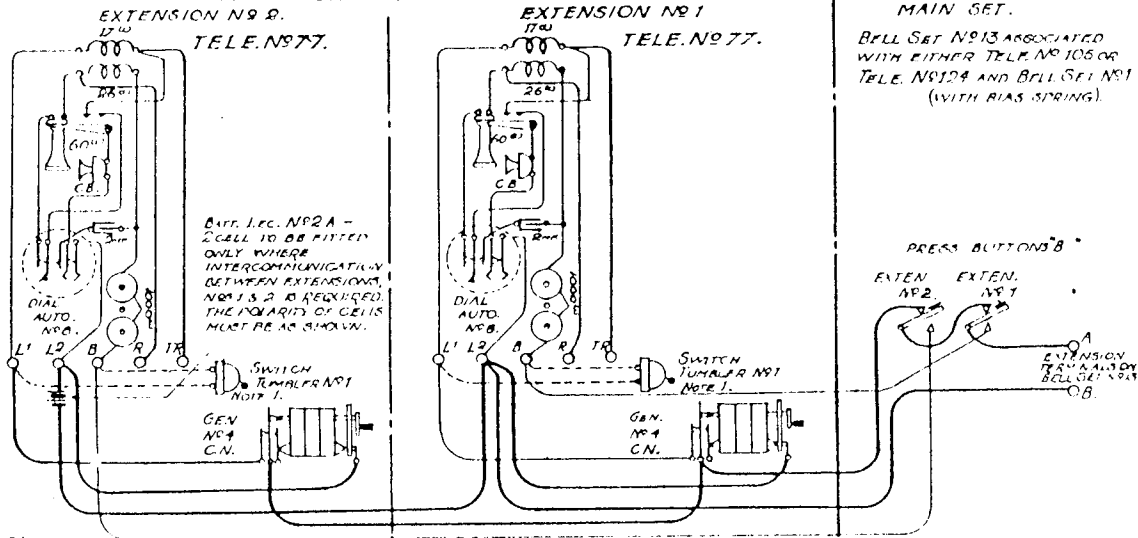
- 1) Springs (Dial) D1 D2 D3 are normally closed with Rcr on hook. D2 and D3 normally open.
- 2) Terminals TR & R are left disconnected.
- 3) Terminals B & L1 are linked in the Block. Terminal, on the subscribers premises, or an Extension Bell fitted in the place of the link.

# AUTOMATIC SYSTEM.

# N. 177

EXTENSION WORKING PLANS N<sup>os</sup> 5 & 5<sup>A</sup> (INTERNAL ONLY) Transposed from N 1487.

MAIN — TABLE OR WALL SET WITH BELL SET N<sup>o</sup> 13 (Dial AT 764 or N513)  
 EXTENSION N<sup>o</sup> 1 — WALL SET.  
 EXTENSION N<sup>o</sup> 2 — WALL SET.



#4029