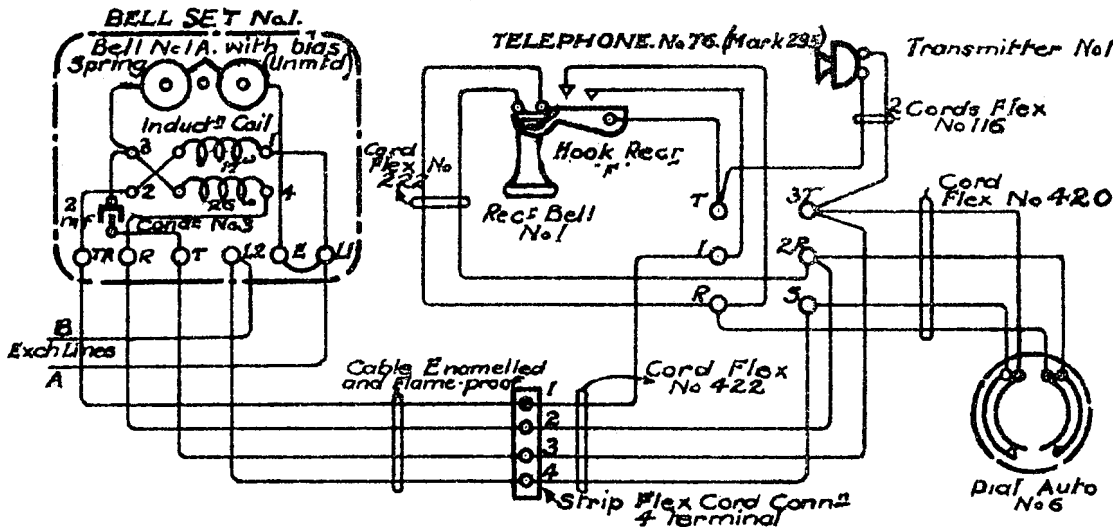


AUTOMATIC TELEPHONE EXCHANGES TELEPHONE No 76 (MARK.235.) W.E.C. SYSTEM.

N.176^A 17.12.19
A.T.320^C 19.11.18.
S.E.1159 ISSUE 2.



- Note.1. Telephone No 76 (Mark 235) is used at Dudley & Mark 234 at Darlington. on Bell Set No.1.
- Note.2. Modifications necessary for two party line Wkg. unlimited rate
 'X' Party. Disconnect Strap between term. L1 and E, earth term. E, join A line to Terminal L2, and B line to L1.
 'Y' Party. Disconnect strap between term. L1 and E, and Earth terminal E.