

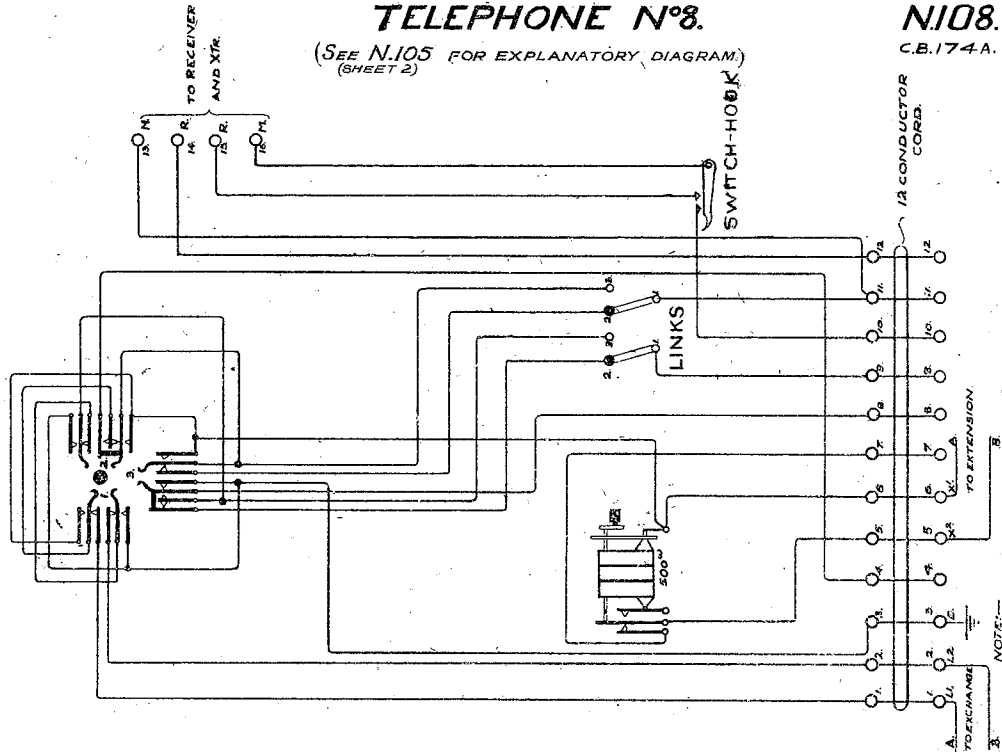
# TELEPHONE N<sup>o</sup>8.

(SEE N.105 FOR EXPLANATORY DIAGRAM)  
(SHEET 2)

N108.

C.B.174A.

3-3-17.



NOTE:—  
TERMINALS 1, 2, 4, 7 TO 12 ARE WIRED TO SIMILARLY NUMBERED  
TERMINALS ON BELL SET N<sup>o</sup>3.

ALL CONNECTIONS ARE SHOWN AS IF LOOKING AT THE FRONT.  
OF THE SET EXCEPT THE KEY WHICH IS SHOWN AS IF SEEN  
FROM THE BACK.

- 1 LEVER CENTRAL MAINSET THROUGH TO EXCHANGE.
- 2 EXTENSION LEVER IN POSITION 1 & EXCH-HOLD TO PREVENT OVERHEARING AT INTERMEDIATE OFFICE.
- 3 EXTENSION SET THROUGH TO EXCH. THE LINKS SHOULD BE CONNECTED BETWEEN 1 & 2, TO PERMIT OVERHEARING, BETWEEN 1 & 3.