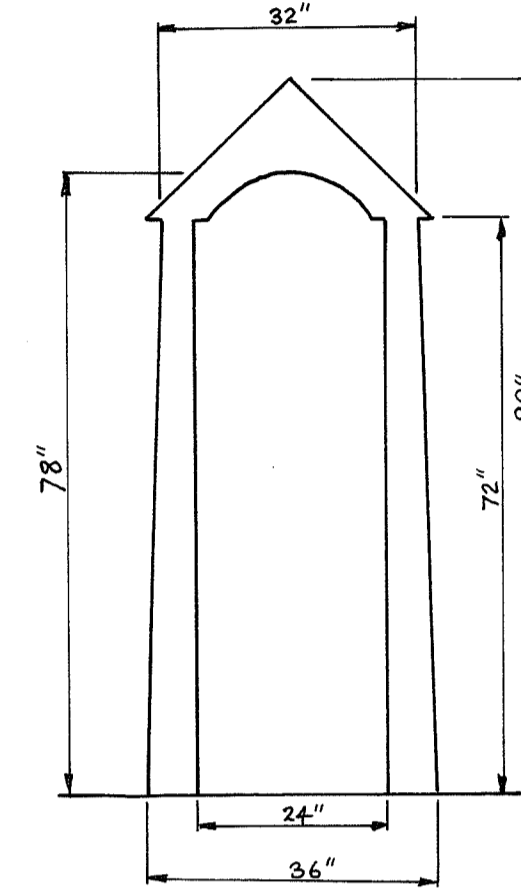


BRIDGE
 FRAME OF 2"x2" EXCEPT RAILS SHOWN 2"x1"
 WIDTH OF BRIDGE 30"
 BRIDGE SPLINED TO ROSTRA.



DETAIL OF SENTRY BOX
 2"x1" FRAME COVERED IN HESSIAN OR HARDBOARD

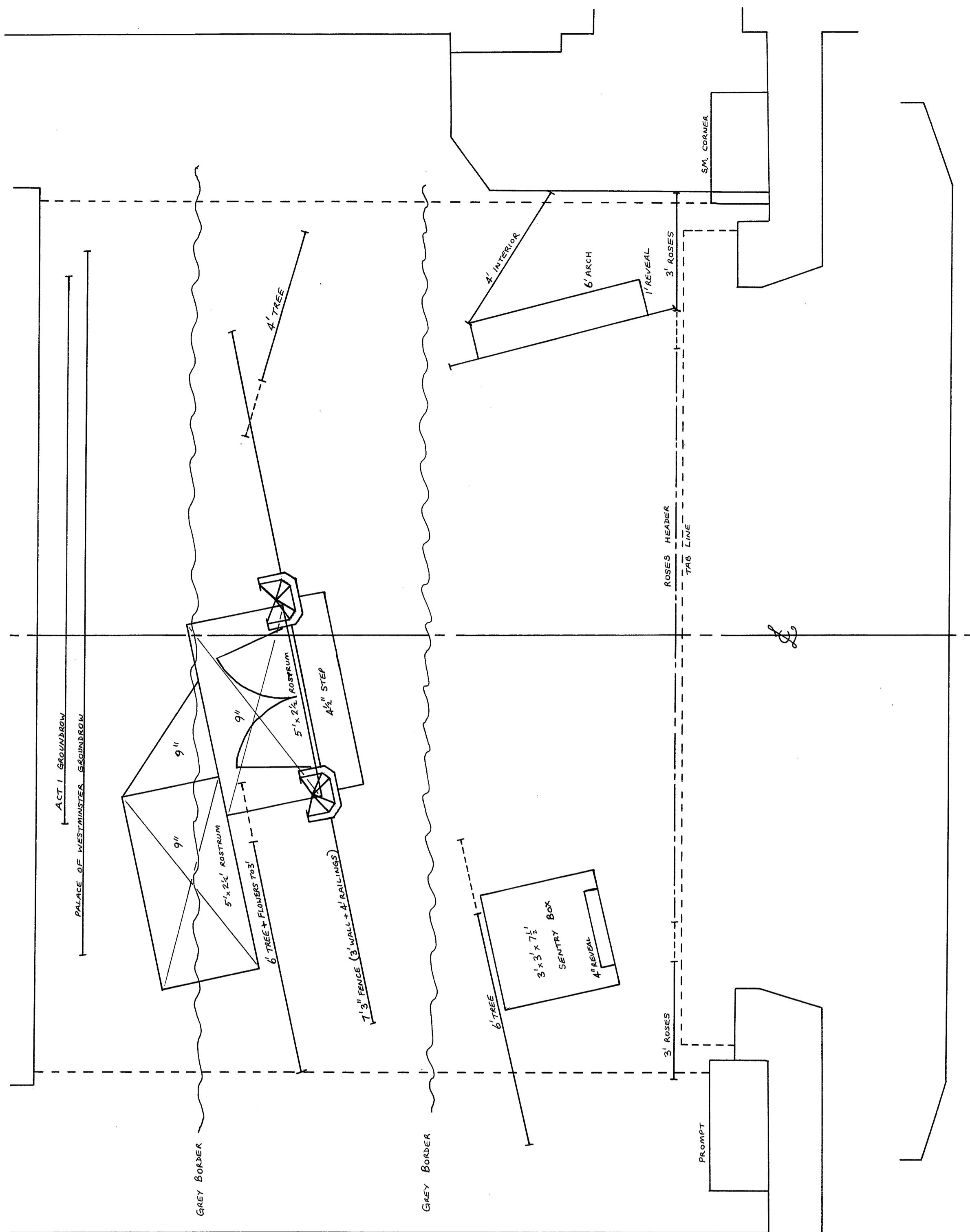
A14 *

A1 *

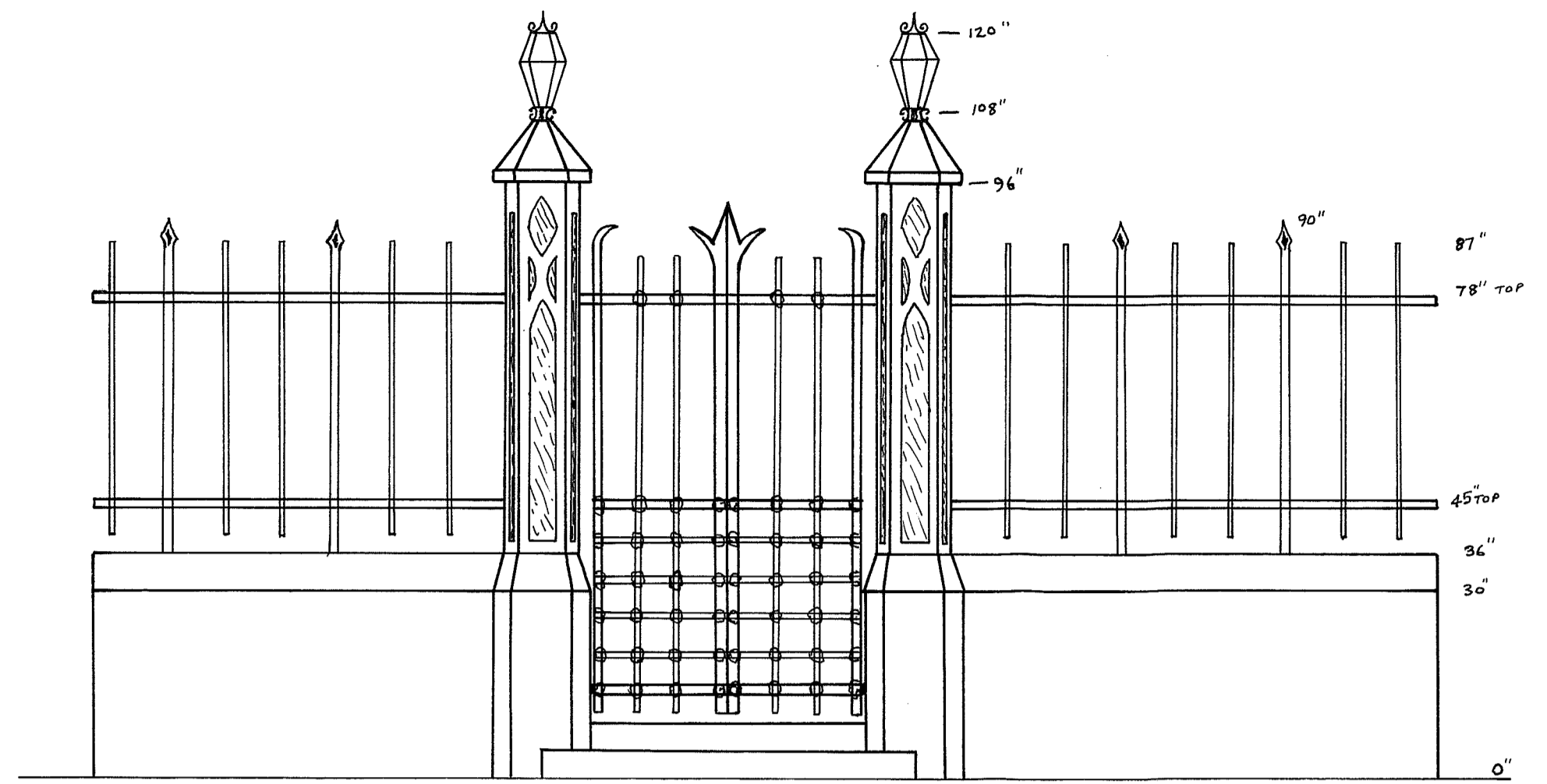
IOLANTHE ACT I

SCALE 1/2" = 1 FOOT

I.C.O.S. BEIT THEATRE FEBRUARY 1973 NIGEL STEVENS

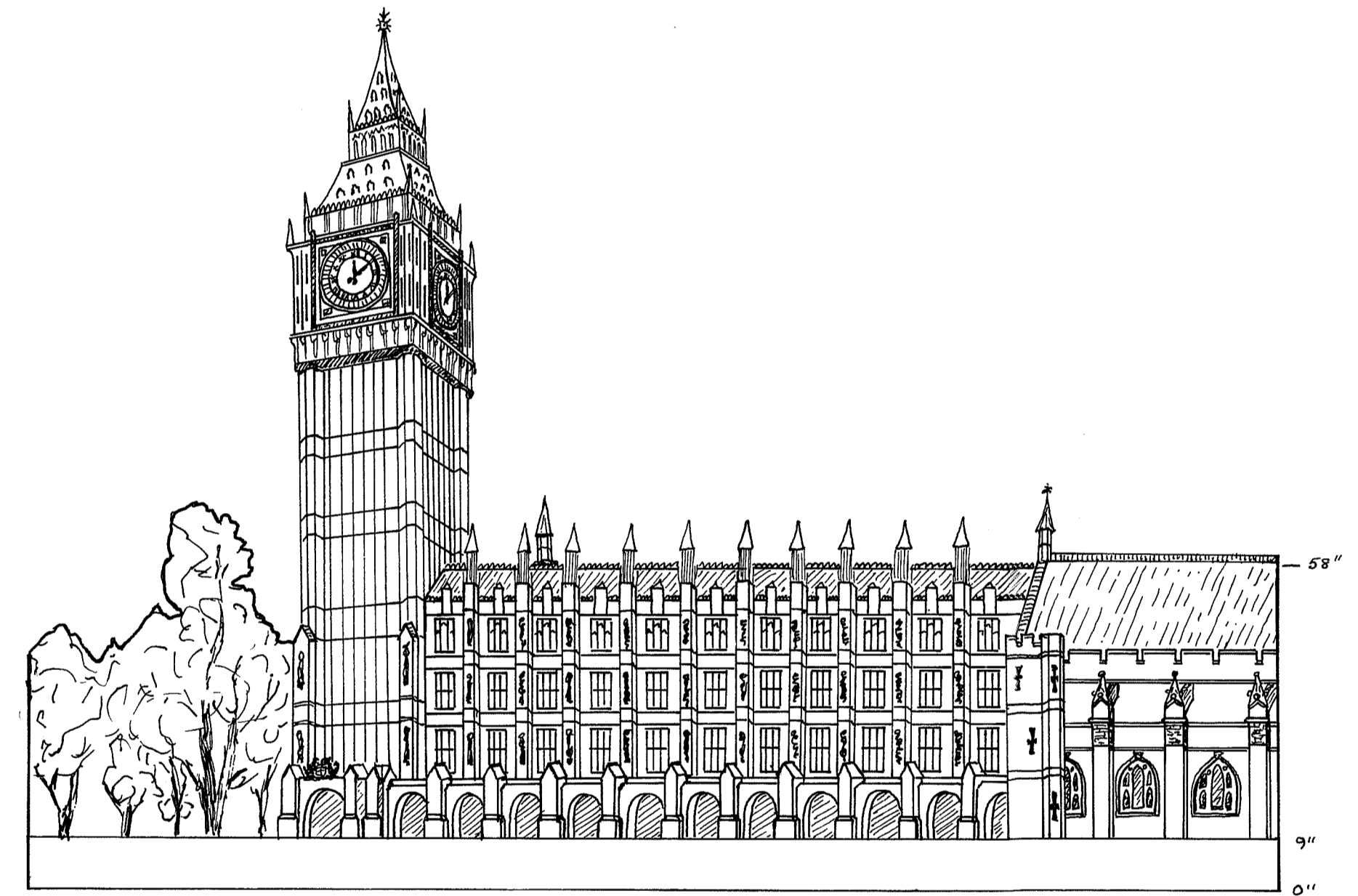


A14



DETAIL OF WALL + FENCE
 LIGHTS (NOT ON ORIGINAL) ARE AN OPTIONAL EXTRA
 GATES ARE SPRUNG OPEN TO BRACE WALL

A15



DETAIL OF PALACE OF WESTMINSTER
 USE 14' x 4'10\"/>

IOLANTHE ACT 2

SCALE 1/2" = 1 FOOT